

1145 POSITION MONITOR INSTALLATION AND OPERATING INSTRUCTIONS

1145 Position monitor with SPDT V3 microswitches or V3 inductive proximity sensors

The following document details the installation and operation instructions for the Westlock 1145 series giving 360° visual and electrical valve position.

1 MOUNTING INSTRUCTIONS

- 1.1 Please refer to Figure 1 below this determines the type of mounting that is required. Figure 1 details the NAMUR option.
- 1.2 Operate the actuator to the fully closed position.
- 1.3 NAMUR mount - secure the appropriately sized NAMUR bracket using the screws / washers supplied with the NAMUR kit. Mount the 1145 switchbox to the mounting bracket by engaging the NAMUR shaft drive into the actuator pinion slot.
- 1.4 Secure the 1145 switchbox using the 4 off M6 x 10 mm Hex head screws using an 8 mm A/F spanner.

2 COVER REMOVAL

- 2.1 Remove the 1145 cover assembly by unscrewing in a counter clockwise direction. The cover assembly consists of the inner and outer visual indicators and the indicator to shaft coupler. See Figure 2.

NOTE

Take care when storing the 1145 cover assembly as this will be required when reassembling. Any damage to the assembly may affect the ingress protection of the enclosure.

FIGURE 1

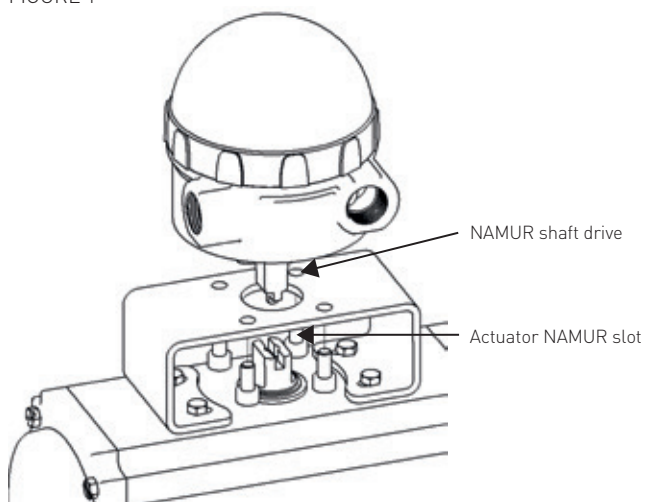
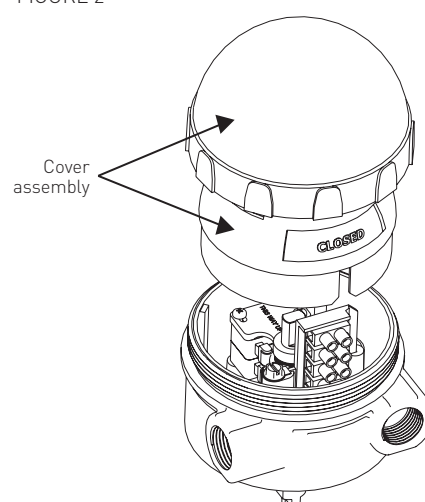


FIGURE 2



1145 POSITION MONITOR

INSTALLATION AND OPERATING INSTRUCTIONS

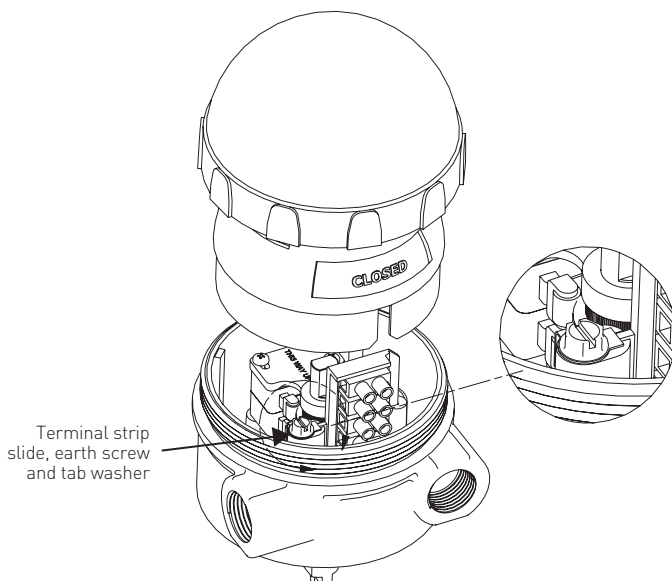
3 FIELD WIRING

ATTENTION

Before installing the conduit entry gland, please ensure that it is the correct size and thread form. The incorrect gland will affect the enclosure ingress protection.

- 3.1 To remove the terminal strip slide first release the green 8-32 UNC earth screw by approx one full turn. Then rotate the tab washer so that the small tab allows the terminal strip slide to move vertical. The wiring diagram for the model ordered will be on the reverse of the terminal strip slide. See Figure 3.
- 3.2 Secure the field wiring by tightening the conductors in the left hand side of the terminal strip corresponding to the switch / sensor wires.
- 3.3 Insert the terminal strip slide into the enclosure by simply lining up runners into the guide slots. When fully home rotate the tab washer so that the small tab is over the terminal strip slide runner. Secure by hand tightening the earth screw using an appropriately sized screw driver or ¼" A/F socket drive.
- 3.4 Before proceeding with the switch / sensor cam setting, ensure that the switch / sensor wires are neatly positioned between the wire barrier and enclosure wall.

FIGURE 3

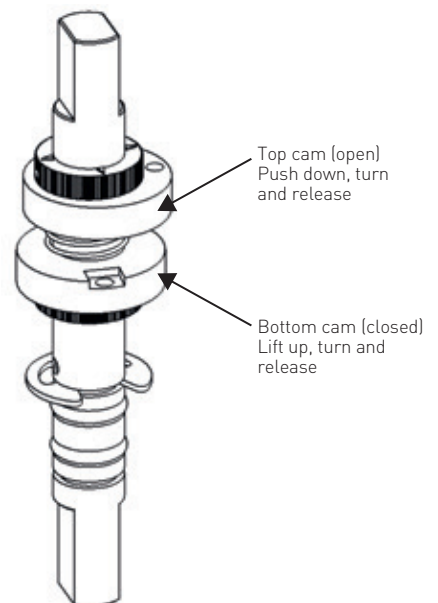


4 TOUCHSET CAM SETTING

Refer to Figure 4

- 4.1 To set the switch or sensor cam, lift the bottom cam and turn until switch / sensor is activated and then release. The spring will push the cam back onto the splined shaft.
- 4.2 Operate the actuator to the opposite extreme, push down on the top cam and turn until the upper switch / sensor is activated.
- 4.3 Operate the actuator from one extreme to the other several times to ensure that the switches / sensors activate correctly.

FIGURE 4



1145 POSITION MONITOR

INSTALLATION AND OPERATING INSTRUCTIONS

5 COVER ASSEMBLY

- 5.1 To aid the assembly of the cover orientate the cover assembly coupler so that the flats are in line with the long vertical groove in the inner indicator.
- 5.2 Align the vertical groove of the inner indicator with the vertical rib in the housing positioned behind the terminal strip. See Figure 5.
- 5.3 Rotate the cover in a clockwise direction whilst pushing the cover assembly towards the housing. This action will engage the cover assembly coupler onto the shaft.
- 5.4 Tighten the cover to the housing to a hand tight feel.

6 READY FOR USE

- 6.1 The 1145 switchbox is now ready for use.
- 6.2 If there are any un-used conduit entries, please ensure that they are plugged using correctly rated IP blanking plugs.

7 TECHNICAL DATA

Area classification: Non hazardous
 Ingress protection: IP66

Switch / sensor options

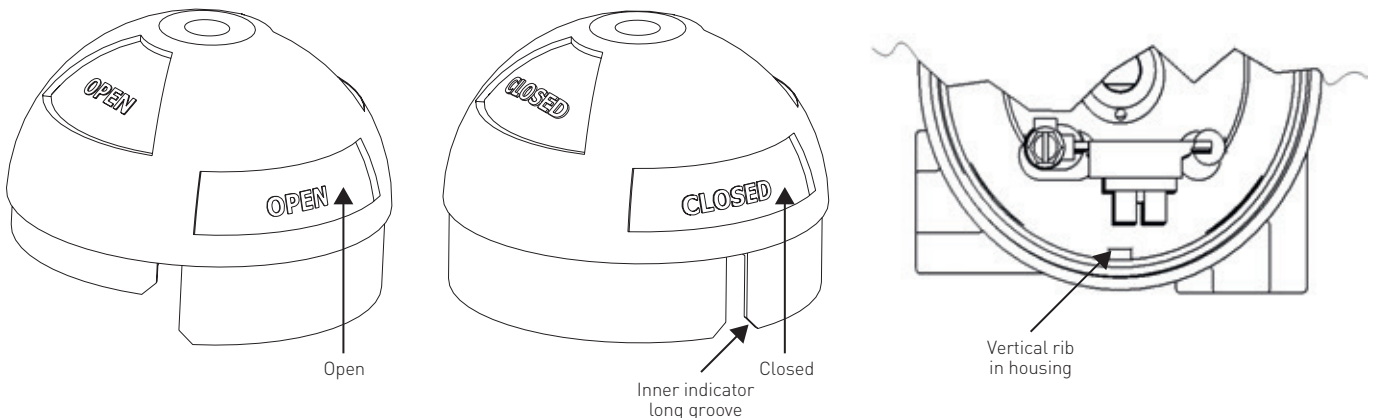
Mechanical switch: SPDT Form C,
 Electrical rating: 15 A - 125/250 VAC;
 6 A - 24 VDC

Alternative inductive proximity sensors:

- P&F: NJ2-V3-N, NBB3-V3-Z4,
 NBB2-V3-E2
- IFM: IS5026, IS5001, IS0003, IS5003,
 NS5002
- Turck: Bi2-Q10S-AP6X, Bi2-Q10S-YOX
- Telemecanique: XS7-H10PA340

Terminal strip: Weco 302 HDS,
 6 or 8 points
 Conduit options: Up to 2 x M20 x 1.5p or
 1/2" -14 NPT
 Ambient
 temperature range: Minus 20°C to +80°C

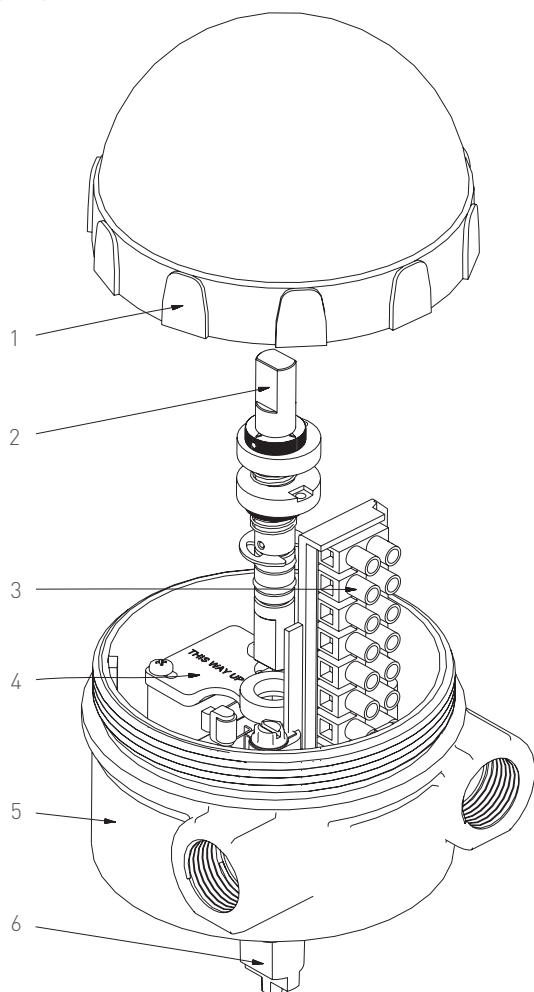
FIGURE 5



1145 POSITION MONITOR

INSTALLATION AND OPERATING INSTRUCTIONS

FIGURE 6



PARTS LIST

Item	Qty	Description
1	1	Cover assembly with HiVue indicator
2	1	Shaft assembly with NBR O-rings
3	1	Terminal strip and switch assembly
4	1	Switch to shaft support plate
5	1	Housing with EPDM O-ring
6	4	Actuator mounting screws
7	4	NAMUR and 11 x 16 mm shaft coupler
8	1	Modmount bracket
9	4	Bracket to housing screws

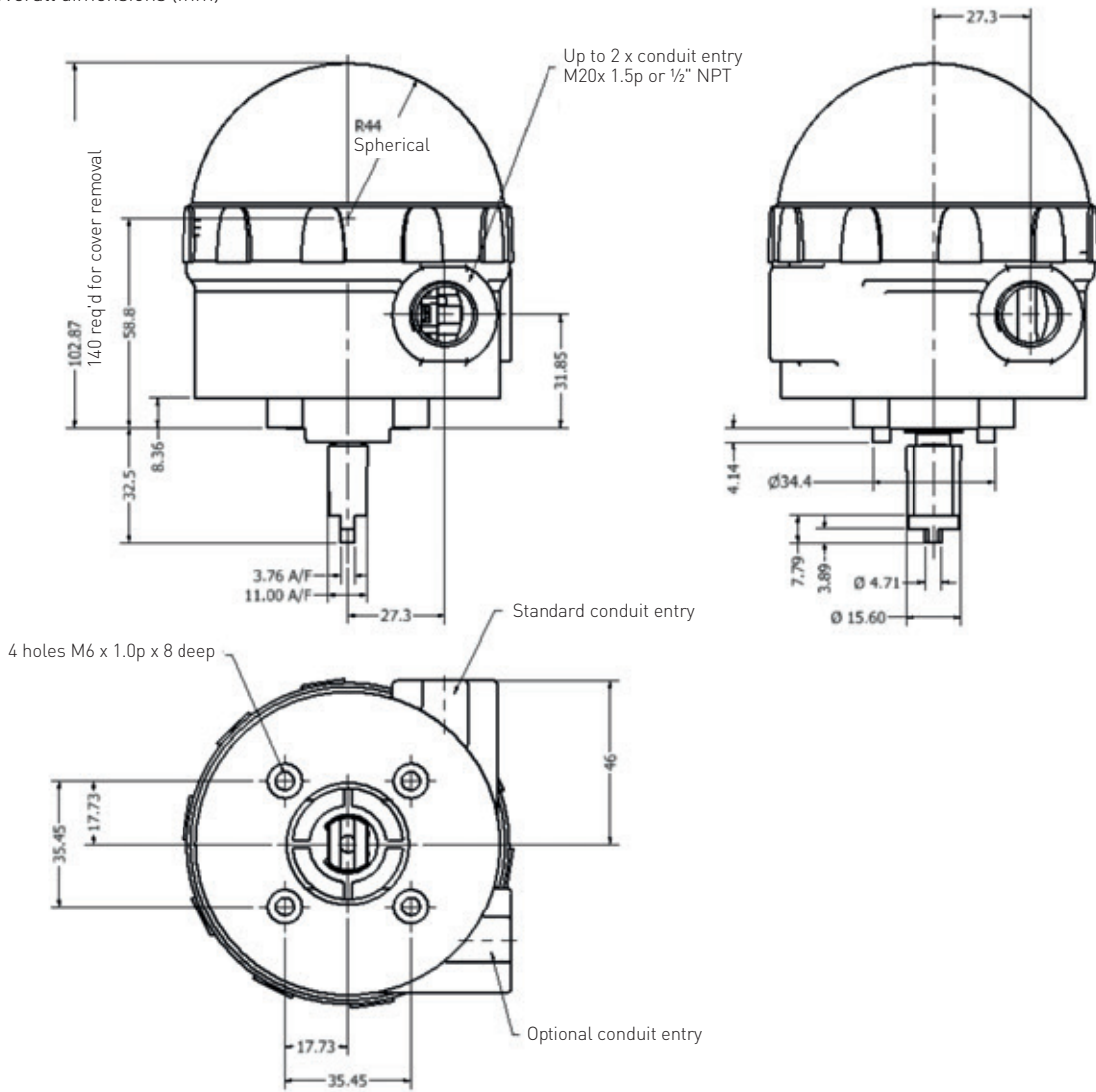
NOTE

Westlock do not offer replacement assemblies for the 1145 switchbox.

1145 POSITION MONITOR

INSTALLATION AND OPERATING INSTRUCTIONS

FIGURE 7
Overall dimensions (mm)



These installation and operating instructions are based on document TECHUK-71 Rev 1 ECN#12787

Translations

Where translated the copy is taken from the original English document VCIOM-04469-EN as checked by the relevant notified certification body and therefore the original English document will prevail. No rights or liability can be derived from any translation.