

ACCUTRAK™ 9468 ROTARY POSITION MONITOR

NON-INCENDIVE – NEC

AccuTrak 9468 series are fully integrated and encapsulated rotary valve position monitors that are agency certified as non-incendive



TECHNICAL DATA

Agency approvals

Area classification (NEC 500) Class I, Division 2, Groups A, B, C & D
Class II, Division 2, Groups F & G

Enclosure standards (ANSI/NEMA 250) Type 4, 4X

Switches

Model 9468 Magnum SPDT (hermetically sealed proximity type) switches
MagPAC bifurcated switch pack

Enclosures

Models 9468 Engineered resin
Stainless steel

FEATURES

- Magnum switches with rhodium contacts for use with low power I/O's for longer contact life.
- MagPAC bifurcated switch pack provides reliable action for low power and non-resistive loads.
- MagPAC LEDs provide clear status indication of limit switch and solenoid, where applicable.
- Strong durable Beacon™ offers 360° visual indication in a choice of styles and colors.
- Touch set cams are hand adjustable, spring loaded and self-locking providing quick calibration of position switches and sensors.
- Terminal strips are pre-wired and numbered with generous working space for ease of use.
- Additional conduit for easy field wiring and mounting accessories as standard.
- Standardized mounting pattern for easy adaptation to common bracketry.
- Robust stainless steel conduit entry inserts provide protection from excessive torque and reliable grounding.
- NAMUR shaft output compliant to VDI / VDE 3845 available.
- Engineered resin enclosure is robust, lightweight and provides exceptional chemical, UV and impact resistance.

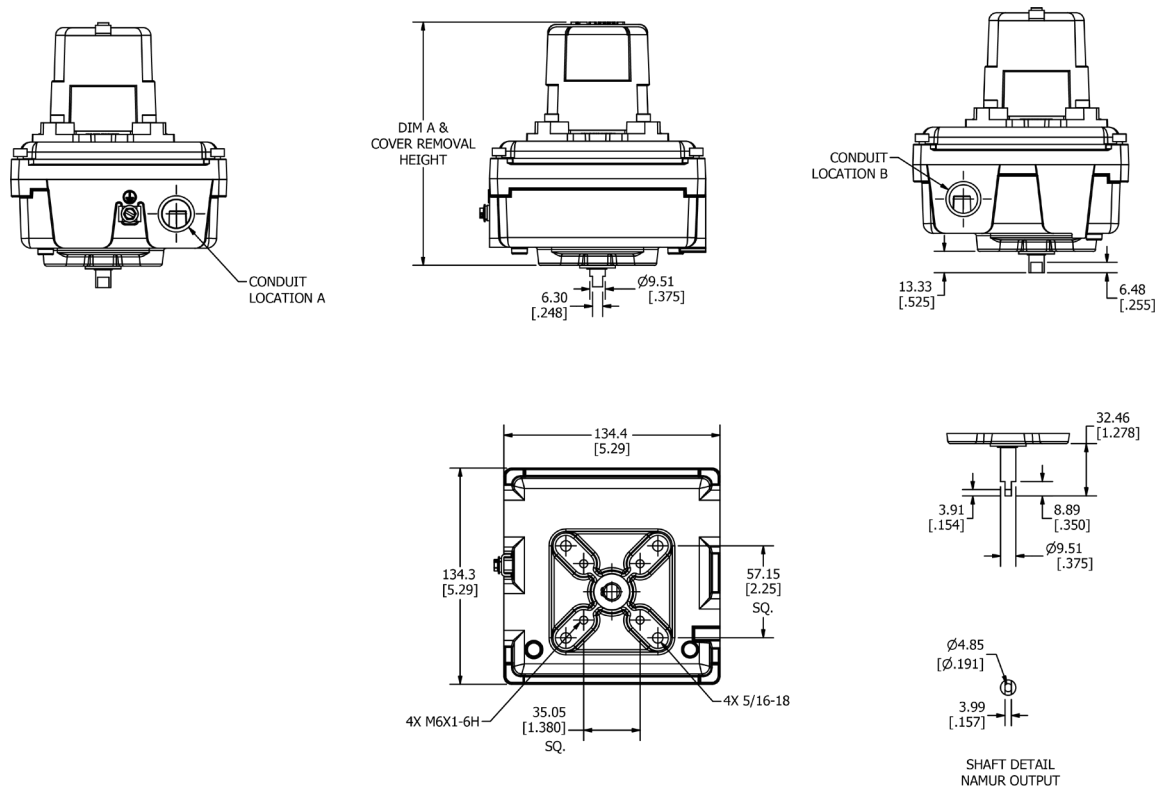
GENERAL APPLICATION

AccuTrak position monitors are ideal for manual and automated rotary valves. They provide consistent and accurate valve monitoring in a compact unit which can be mounted directly or via a valve actuator.

ACCUTRAK™ 9468 ROTARY POSITION MONITORS

NON-INCENDIVE – NEC

MODEL 9468 DIMENSIONS



Dimensions in inches, where available metric dimension (mm) in parentheses

TECHNICAL SPECIFICATIONS

Materials of construction

Enclosure	Engineered polyamide resin
Shaft and hardware	Stainless steel
Bushing	Nylon
Beacon visual indicator	Co-polyester

Drive shaft

Westlock standard	Double-D with 1/4" A/F
NAMUR standard	NAMUR standard VDI/VDE 3845

Available switches

	Magnum, SPDT hermetically sealed switches, with tungsten contacts
	Magnum, SPDT hermetically sealed switches, with rhodium contacts
	MagPAC Switch pack, SPST normally open with LED indication

Options

	Stainless steel enclosure
--	---------------------------

NOTES

1. See selection guide for standard conduit entries
2. See switches & sensors data sheet for further information
3. A specialist eliminator fitting is available for the mounting of an aftermarket solenoid valve
4. Please consult your sales office for any other requirements



ACCUTRAK™ NON-INCENDIVE ROTARY POSITION MONITOR

MODEL 9468 SELECTION GUIDE

Base model	
9468	Engineered Resin Enclosure
Shaft output	
S	Standard (Double-D with 1/4" Flats)
D	Direct mount to Keystone F89 actuators
N	NAMUR
Beacon	
BY	BM2-Y (Standard)
RG	BM2-RG (Red Closed/Green Open)
FE	BM2-Y-FE (French/English)
B1	BM3-1 (3-way B1 Flowpath)
B3	BM3-3 (3-way B3 Flowpath)
B5	BM3-5 (3-way B5 Flowpath)
B7	BM3-7 (3-way B7 Flowpath)
B9	BM3-9 (3-way B9 Flowpath)
LP	BM2-Y-LP (Low Profile Standard)
FC	Flat Cover
Conduit	
2A	Two 1/2" NPT (F)
Position Switches (see ordering notes)	
2M06	Two SPDT Magnum Switches - 8 pt. Terminal Strip
2M12	Two SPDT Magnum Switches with Rhodium Contacts - 8 pt. Terminal Strip
2M13	MagPAC Module (Two SPST Bifurcated Switches with LEDs) Note: MagPAC is standard with clear cover
4M06	Four SPDT Magnum Switches - 16 pt. Terminal Strip
4M12	Four SPDT Magnum Switches with Rhodium Contacts - 16 pt. Terminal Strip
Position Transmitter	
00	None
Unit Special Options (leave blank for standard builds)	
00124	316 Stainless Steel Enclosure
00710	12 - pt. Terminal Strip
9468	N
BY	2A
2M13	00
= Model number 9468NBY2A2M1300	

POSITION SWITCH APPLICATION NOTE:

For 120 VAC service, M13 (MagPAC) is recommended

For 24 VDC service below 1 watt, M12 (Rhodium Magnum Switches) or M13 (MagPAC) is recommended

For 24 VDC service above 1 watt, M06 (Tungsten Magnum Switches) or M13 (MagPAC) is recommended

ORDERING NOTES

*Eliminator Fitting is 1/2 NPT (M) for the purpose of mounting an after market solenoid valve.

NOTES

1. Please contact your sales office for guidance on selecting the best possible combination for your control and monitoring requirements.
2. See Hazardous area classification technical bulletin for further information on global standards.
3. For stainless steel enclosure, please add '00124' to end of your part number built with the above selection guide



Translations

Where translated, the copy is taken from the original English document TD10061-EN as checked by the relevant notified certification body and therefore the original English document will prevail. No rights or liability can be derived from any translation.

Crane Co., and its subsidiaries cannot accept responsibility for possible errors in catalogues, brochures, other printed materials, and website information. Crane Co. reserves the right to alter its products without notice, including products already on order provided that such alteration can be made without changes being necessary in specifications already agreed. All trademarks in this material are the property of the Crane Co. or its subsidiaries. The Crane and Crane brands logotype (WESTLOCK CONTROLS®) are registered trademarks of Crane Co. All rights reserved.

WESTLOCK CONTROLS

Head Office	USA	Europe	Asia
280 N. Midland Avenue, Ste 258	+1 201 794 7650	+44 (0)1892 516277	+65 6266 4535
Saddle Brook, NJ 07663			
United States	westlockcontrols.com		