

**ACCUTRAK™ 5004/5044 ROTARY POSITION MONITORS**  
INTRINSICALLY SAFE – NEC

Fully integrated rotary valve position monitors that are certified for intrinsically-safe applications when used with approved IS barriers



**FEATURES**

- Inductive NAMUR sensor rated for IS applications.
- Magnum switches with rhodium contacts for use with low power I/O's for longer contact life.
- Strong durable Beacon™ offers 360° visual indication in a choice of styles and colors.
- Touch set cams are hand adjustable, spring loaded and self-locking providing quick calibration of position switches and sensors.
- Terminal strips are pre-wired and numbered with generous working space for ease of use.
- Additional conduit for easy field wiring and mounting accessories as standard.
- Standardized mounting pattern for easy adaptation to common bracketry.
- NAMUR shaft output compliant to VDI/VDE 3845 available.
- Engineered resin enclosure is robust, lightweight and provides exceptional chemical, UV and impact resistance.
- Aluminum enclosures with ultra-low copper content (0.2% maximum) ensure robust performance in corrosive environments.
- Rugged stainless steel enclosure option

**TECHNICAL DATA**

**Agency approvals**

Area classification (NEC 500)

Class I, II & III, Division 1, Groups A, B, C, D, E, F & G / T6 Ta = 60°C (Entity) when operated through approved IS barriers

Enclosure standards (ANSI/NEMA 250)

Type 4, 4X

**Switches**

Models 5004/5044

Pepperl + Fuchs model NJ2-V3-N V3 mechanical switches, SPDT with gold-plated contacts  
Magnum SPDT hermetically sealed switches with rhodium contacts

**Enclosures**

Model 5004

Aluminum

Model 5044

Engineered resin

Stainless steel

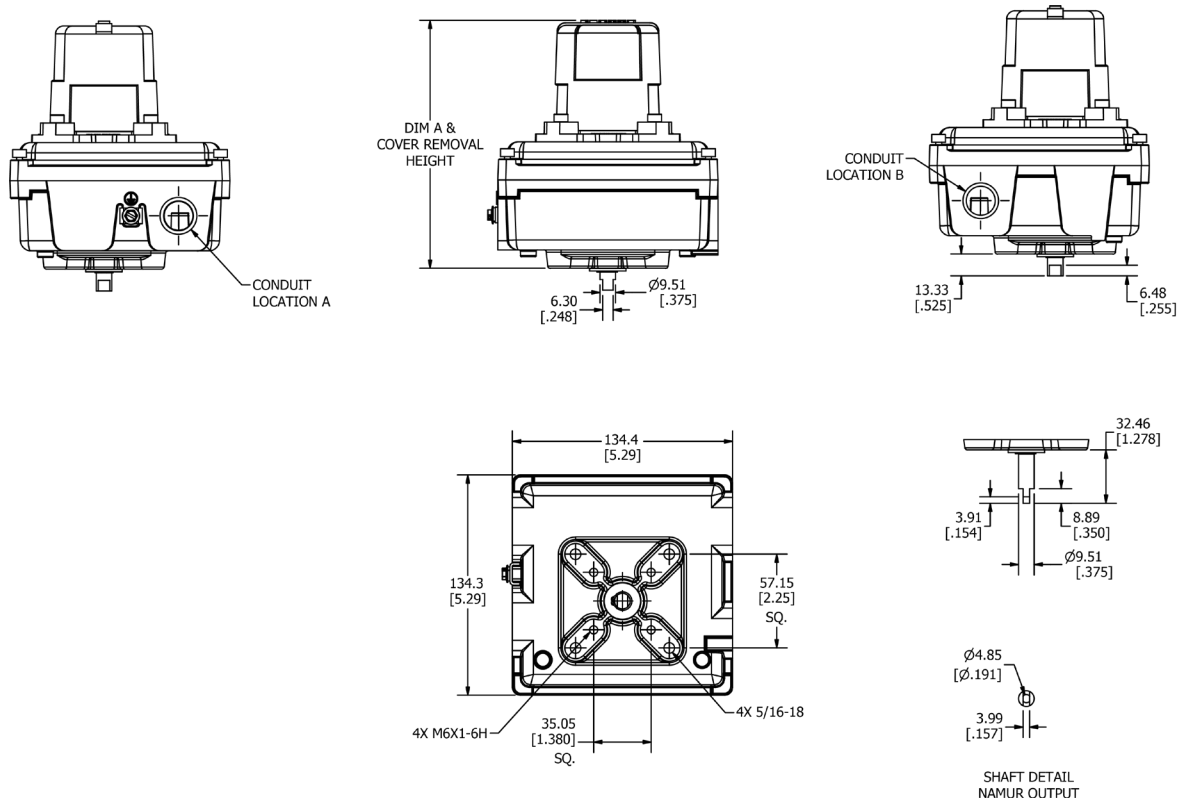
**GENERAL APPLICATION**

AccuTrak position monitors are ideal for manual and automated rotary valves. They provide consistent and accurate valve monitoring in a compact unit which can be mounted directly or via a valve actuator.

# ACCUTRAK™ ROTARY POSITION MONITORS

INTRINSICALLY SAFE – NEC

## MODEL 5004/5044 DIMENSIONS



Dimensions in inches, where available metric dimension (mm) in parentheses

## TECHNICAL SPECIFICATIONS

### Materials of construction

#### Enclosure

Model 5004	Aluminium with powder coat finish
Model 5044	Engineered polyamide resin

#### Shaft and hardware

Stainless steel

#### Bushing

Oil impregnated bronze

Model 5004	Oil impregnated bronze
Model 5044	Nylon

#### Beacon visual indicator

Co-polyester

#### Drive shaft

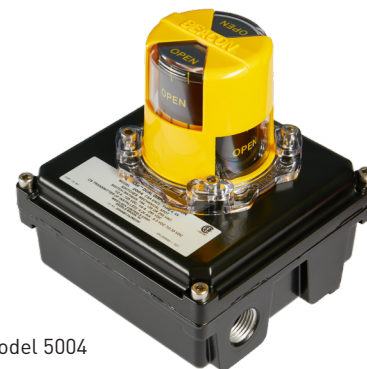
Westlock standard	Double-D with 1/4" A/F
NAMUR standard	NAMUR standard VDI/VDE 3845

#### Available switches

Pepperl + Fuchs model NJ2-V3-N  
V3 mechanical switches, SPDT with gold-plated contacts  
Magnum, SPDT hermetically sealed switches with rhodium contacts

#### Options

Model 5044	Stainless steel enclosure
------------	---------------------------



## NOTES

1. See selection guide for standard conduit entries
2. See switches & sensors data sheet for further information
3. A specialist eliminator fitting is available for the mounting of an aftermarket solenoid valve
4. Please consult your sales office for any other requirements

# ACCUTRAK™ INTRINSICALLY SAFE ROTARY POSITION MONITORS

## MODELS 5004 / 5044 SELECTION GUIDE

Base model							
5004	Aluminum enclosure						
5044	Engineered resin enclosure						
Shaft output							
S	Standard (Double-D with 1/4" Flats)						
D	Direct mount to Keystone F89 actuators						
N	NAMUR						
Beacon							
BY	BM2-Y (Standard)						
RG	BM2-RG (Red Closed/Green Open)						
FE	BM2-Y-FE (French/English)						
B1	BM3-1 (3-way B1 Flowpath)						
B3	BM3-3 (3-way B3 Flowpath)						
B5	BM3-5 (3-way B5 Flowpath)						
B7	BM3-7 (3-way B7 Flowpath)						
B9	BM3-9 (3-way B9 Flowpath)						
LP	BM2-Y-LP (Low Profile Standard)						
FC	Flat Cover						
Conduit							
2A	Two 1/2" NPT (F)						
2B	Two 3/4" NPT (F)						
Position switches							
2M08	Two P+F sensors model NJ2-V3-N - 8 pt. Terminal Strip						
2M09	Two SPDT Mechanical Switches with Gold Plated Contacts - 8 pt. Terminal Strip						
2M12	Two SPDT Magnum Switches with Rhodium Contacts - 8 pt. Terminal Strip						
2M16	IS MagPAC Module <b>(Two SPST Bifurcated switches with LEDs) -- Std. with Clear Cover in 5044 Only)</b>						
4M08	Four P&F Sensor model NJ2-V3-N - 16 pt. Terminal Strip						
4M09	Four SPDT Mechanical Switches with Gold Plated Contacts - 16pt. Terminal Strip						
4M12	Four SPDT Magnum Switches with Rhodium Contacts - 16 pt. Terminal Strip						
Position Transmitter							
00	None						
Unit Specialty Code							
00124	316 Stainless Steel Enclosure (for 5044 only)						
00710	12pt Terminal Strip						
5044	N	BY	2A	2M12	00	00124	= Model number <b>5044NBY2A2M120000124</b>

### NOTES

1. Please contact your sales office for guidance on selecting the best possible combination for your control and monitoring requirements.
2. See Hazardous area classification technical bulletin for further information on global standards.
3. For stainless steel enclosure, please add 00124 to the end of your part number built with the selection guide above.

### Translations

Where translated the copy is taken from the original English document TD10055-EN as checked by the relevant notified certification body and therefore the original English document will prevail. No rights or liability can be derived from any translation.

Crane Co., and its subsidiaries cannot accept responsibility for possible errors in catalogues, brochures, other printed materials, and website information. Crane Co. reserves the right to alter its products without notice, including products already on order provided that such alterations can be made without changes being necessary in specifications already agreed. All trademarks in this material are the property of Crane Co. or its subsidiaries. The Crane and Crane brands logotype (WESTLOCK CONTROLS®) are registered trademarks of Crane Co. All rights reserved.



#### WESTLOCK CONTROLS

Head Office  
280 N. Midland Avenue, Ste. 258  
Saddle Brook, NJ 07663  
United States

**USA**  
+1 201 794 7650

**EUROPE**  
+44 (0)1892 516277

**ASIA**  
+65 6266 4535