

**ACCUTRAK™ 3479/E3479 LINEAR POSITION MONITORS**  
EXPLOSIONPROOF/FLAMEPROOF – NEC/CEC/ATEX/IECEX

The AccuTrak™ 3479/E3479 (MOD3) combine the functionality of an explosionproof junction housing and position sensors to provide cost-effective monitoring of linear control and knife gate valves



**FEATURES**

- Magnum limit switches with rhodium contacts recommended for use with low power I/O's for longer contact life.
- Factory pre-wired SPDT hermetically sealed proximity switches provide labor savings for position sensing of smaller valves.
- Aluminum enclosures with ultra-low copper content (0.2% maximum) ensure robust performance in corrosive environments.
- Conduit entries and numbered terminal strip for convenient integration of a solenoid valve.
- Easy back-wiring of 316 SB or 316 LT Silver Bullet switches to accommodate position sensing of large valves.
- Triggering bolts included.
- Optional OSHA compliant, adjustable triggering system available in nylon or stainless steel.
- 316 stainless steel housing option available

**TECHNICAL DATA**

**Agency approvals**

Explosionproof - North America\*\*  
Model 3479

Class I, Div. 1, Grps B, C, D;  
Class I, Div. 2, Grps A, B, C, D;  
Class II, Div. 1, Grps E, F, G:  
Type 4

Model E3479

Class I, Div. 1, Grps C, D;  
Class II, Div. 1, Grps E, F, G:  
Type 4

Flameproof - ATEX/IECEX\*\*  
Model 3479/E3479

II 2 G Ex db IIC T\* Gb  
II 2 D Ex tb IIIC T\*°C Db  
IP 6X

**Switches**

Magnum

SPDT hermetically sealed proximity switches

**Enclosure**

Model 3479/E3479

Aluminum, Stainless Steel

**GENERAL APPLICATION**

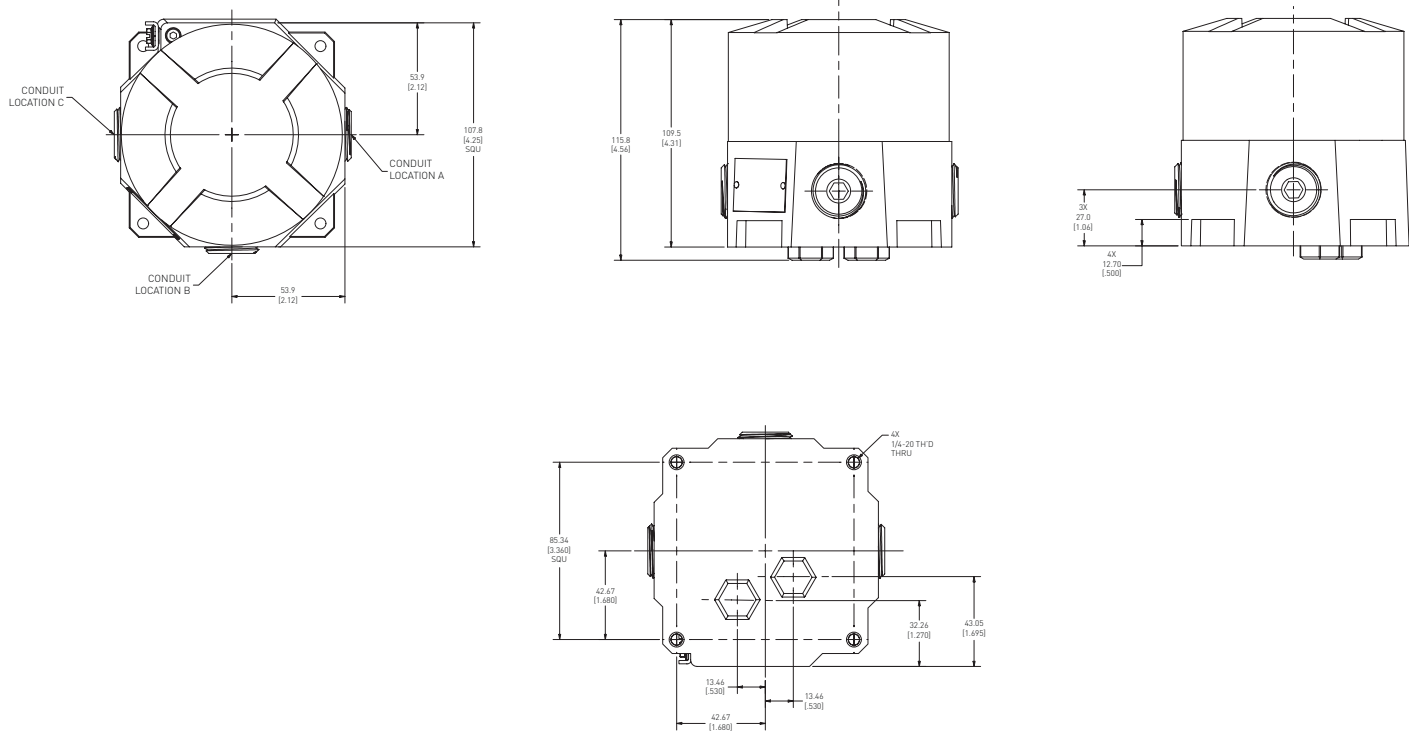
The AccuTrak 3479/E3479 (MOD3) position monitors provide consistent and accurate monitoring of linear valves through the use of an explosionproof junction housing and hermetically sealed proximity switches.

\*\*Consult appropriate agency approval certificate for safe temperature range

# ACCUTRAK™ 3479/E3479 LINEAR POSITION MONITORS

EXPLOSIONPROOF/FLAMEPROOF – NEC/CEC/ATEX/IECEX

MODEL 3479 MOD3 DIMENSIONS (ALUMINUM)



## TECHNICAL SPECIFICATIONS

### Materials of construction

Enclosure	Aluminum with powder coat finish
Hermetic Seal	Glass (vacuum)
<b>Switch temp. range</b>	-40°F to +220°F
<b>Operational Life</b>	600,000 cycles (full rated load)
<b>Switch Actuation</b>	Ferromagnetic (stainless steel encapsulated)
<b>Sensing Distance</b>	0.100" end sensing
<b>Operating Time</b>	3.0 ms
<b>Repeatability</b>	0.127 mm (0.005 inch)
<b>Hysteresis</b>	0.762 mm (0.030 inch)
<b>Available switches</b>	Magnum, SPDT hermetically sealed switches with tungsten contacts Magnum, SPDT hermetically sealed switches with rhodium contacts

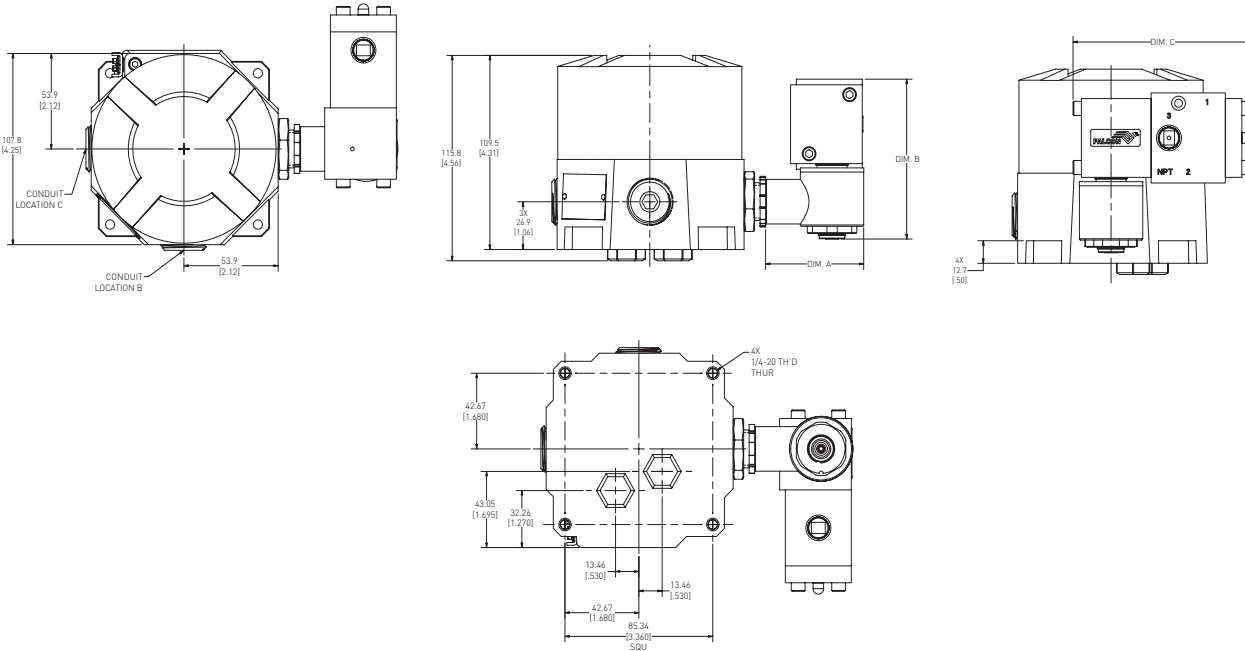
## NOTES

1. See selection guide for standard conduit entries
2. See switches & sensors data sheet for further information
3. An integral approved eliminator fitting is available for the mounting of an aftermarket solenoid valve
4. Please consult your sales office for any special requirements
5. Please contact your sales office for guidance on selecting the best possible combination for your control and monitoring requirements
6. See Hazardous area classification technical bulletin for further information on global standards

# ACCUTRAK™ 3479/E3479 LINEAR POSITION MONITORS

EXPLOSIONPROOF/FLAMEPROOF – NEC/CEC/ATEX/IECEX

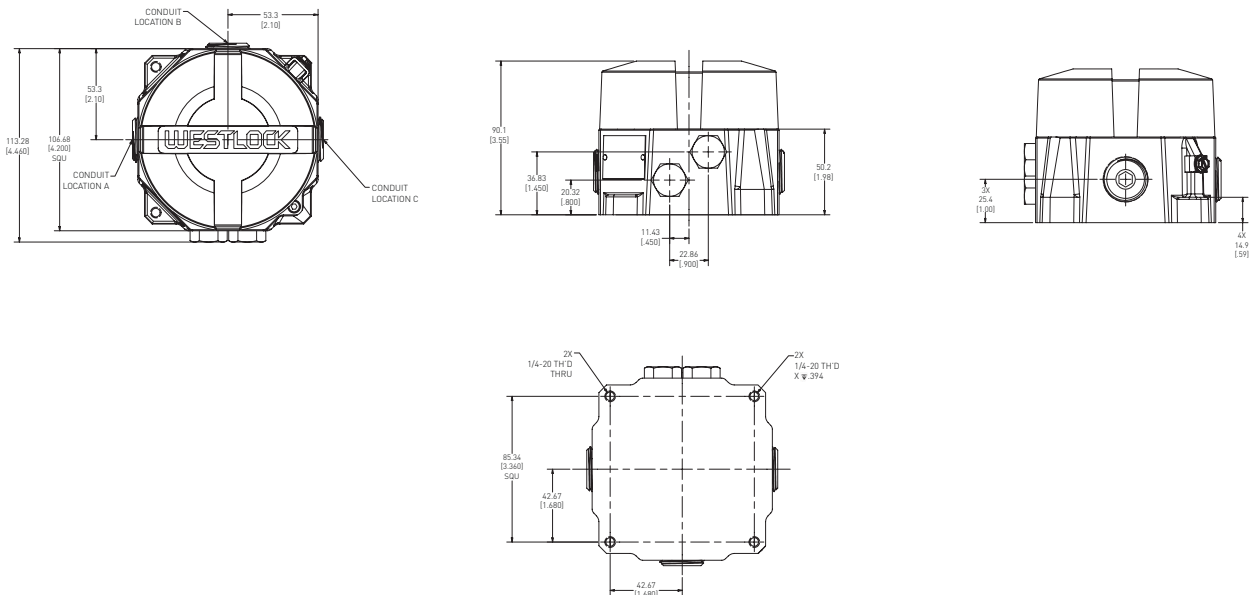
## MODEL E3479 MOD3 DIMENSIONS WITH SOLENOID (ALUMINUM)



### VALVE DIMENSIONS

VALVE OPTIONS	DIM A.	DIM B	DIM C
1.4Cv, 3-Way, Brass/Aluminum/316 SS	56.7 [2.24]	90.2 [3.56]	103.9 [4.09]
1.4Cv, 4-Way, Brass/Aluminum/316 SS	56.7 [2.24]	90.2 [3.56]	124.6 [4.91]

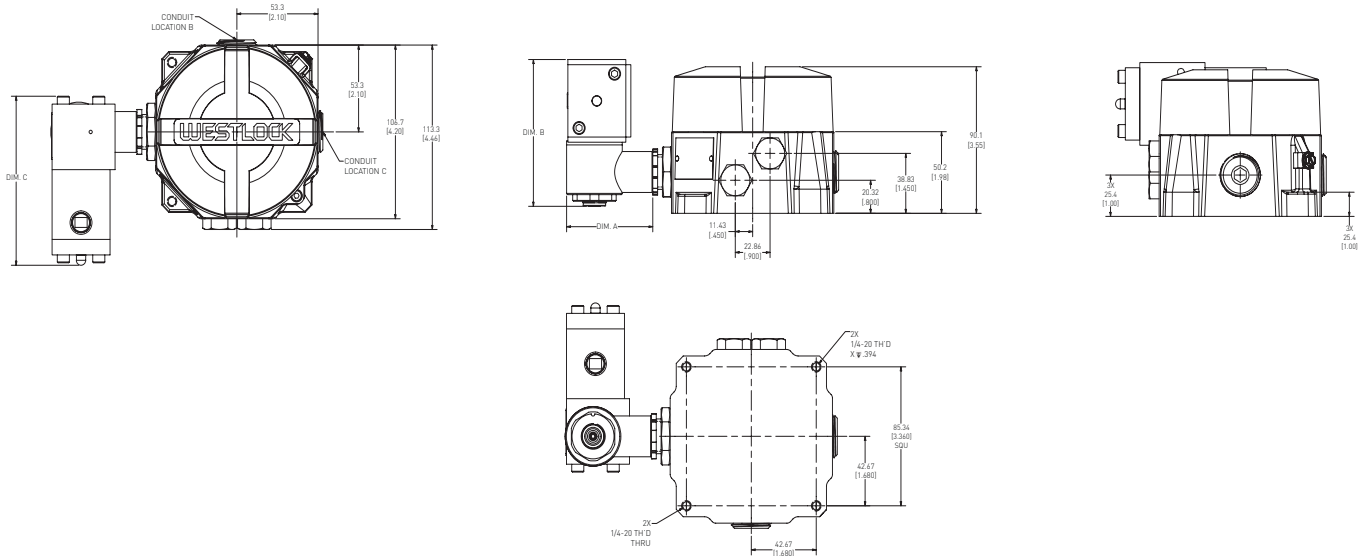
## MODEL 3479 MOD3 DIMENSIONS (STAINLESS STEEL)



# ACCUTRAK™ 3479/E3479 LINEAR POSITION MONITORS

EXPLOSIONPROOF/FLAMEPROOF – NEC/CEC/ATEX/IECEX

MODEL E3479 MOD3 DIMENSIONS WITH SOLENOID (STAINLESS STEEL)



## VALVE DIMENSIONS

VALVE OPTIONS	DIM A.	DIM B	DIM C
1.4Cv, 3-Way, Brass/Aluminum/316 SS	56.7 [2.24]	90.2 [3.56]	103.9 [4.09]
1.4Cv, 4-Way, Brass/Aluminum/316 SS	56.7 [2.24]	90.2 [3.56]	124.6 [4.91]

## ORDERING GUIDE FOR 3479

<b>Base Model</b>			
3479	Aluminum Enclosure, 10 pt. Terminal Strip		
	<b>Shaft Output</b>		
	0	Not available	
		<b>Beacon</b>	
		00	Not available
			<b>Conduit</b>
		3B	Three 3/4NPT (F)
		3E	Two 3/4NPT (F) & One 1/2NPT (M) Eliminator Fitting (for after-market solenoid valve mounting)
		3S	Three M25 (F)
			<b>Position Switches</b>
		2M06	Two Bottom-Mounted SPDT Magnum Switches
		2M12	Two Bottom-Mounted SPDT Magnum Switches with Rhodium Contacts
			<b>Analog Position Transmitter</b>
		00	Not available
			<b>Unit Options (leave blank for standard builds)</b>
		00124	316 Stainless Steel Enclosure (available only with side-mounted switches)
<b>3479</b>	<b>0</b>	<b>00</b>	<b>3B 2M12 00 = Model Number 34790003B2M1200</b>

### PROXIMITY SWITCH APPLICATION NOTE:

For 24 VDC **service below 1 watt**, M12 (Rhodium Magnum) is recommended  
 For 24 VDC **service above 1 watt**, M06 (Tungsten Magnum) is recommended

# ACCUTRAK™ 3479/E3479 LINEAR POSITION MONITORS

EXPLOSIONPROOF/FLAMEPROOF – NEC/CEC/ATEX/IECEX

ORDERING GUIDE FOR E3479

<b>Base Model</b>										
E3479	Aluminum Enclosure, 10 pt. Terminal Strip									
	<b>Shaft Output</b>									
	0	Any Shaft Output								
		<b>Beacon</b>								
		00	Any Beacon							
			<b>Conduit</b>							
			3E	Two 3/4NPT (F) & One 1/2NPT (M) Eliminator Fitting						
			3X	Two M25 (F) & One 1/2NPT (M) Eliminator Fitting						
				<b>Position Switches</b>						
				2M06	Two Bottom-Mounted SPDT Magnum Switches					
				2M12	Two Bottom-Mounted SPDT Magnum Switches with Rhodium Contacts					
				<b>Analog Position Transmitter</b>						
				00	Not available					
				<b>Coil Voltage</b>						
				ET	24 VDC, 1.8 watt, 1/2NPT female conduit, stainless steel housing, potted coil					
				EZ	120 VAC, 1.8 watt, 1/2NPT female conduit, stainless steel housing, potted coil					
				<b>Coil Temperature Rating</b>						
				0	Ordinary temperature (-20°C service)					
				L	Low Temperature (-40°C service) - <b>requires valve option "X"</b>					
				<b>FalconV Valve Body</b>						
				2V3	1.4Cv, 3-Way, Brass, 1/4NPT	2V7	1.4Cv, 4-Way, Brass, 1/4NPT			
				3V3	1.4Cv, 3-Way, Alm., 1/4NPT	3V7	1.4Cv, 4-Way, Alm., 1/4NPT			
				5V3	1.4Cv, 3-Way, 316 SS, 1/4NPT	5V7	1.4Cv, 4-Way, 316 SS, 1/4NPT			
				3B3	1.4Cv, 3-Way, Alm., 1/4BSP	3B7	1.4Cv, 4-Way, Alm., 1/4BSP			
				5B3	1.4Cv, 3-Way, 316 SS, 1/4BSP	5B7	1.4Cv, 4-Way, 316 SS, 1/4BSP			
				<b>Valve Options</b>						
				0	None					
				X	Low Temperature Seal - <b>requires Coil Temperature Rating "L"</b>					
				M	Momentary Override					
				L	Locking Override					
				E	External Pilot ( <b>required for inlet pressures below 45 psi</b> )					
				<b>Unit Options (leave blank for standard builds)</b>						
				00124	316 Stainless Steel Enclosure ( <i>available only with side-mounted switches</i> )					
<b>E3479</b>	<b>0</b>	<b>00</b>	<b>3B</b>	<b>2M12</b>	<b>00</b>	<b>ET</b>	<b>L</b>	<b>2V3</b>	<b>X</b>	<b>00124</b> = Model Number E34790003B2M1200ETL2V3X00124

**PROXIMITY SWITCH APPLICATION NOTE:**

For 24 VDC **service below 1 watt**, M12 (Rhodium Magnum) is recommended  
 For 24 VDC **service above 1 watt**, M06 (Tungsten Magnum) is recommended

# ACCUTRAK™ 3479/E3479 LINEAR POSITION MONITORS

---

EXPLOSIONPROOF/FLAMEPROOF – NEC/CEC/ATEX/IECEX



## Translations

Where translated, the copy is taken from the original English document TD10001-EN as checked by the relevant notified certification body and therefore the original English document will prevail. No rights or liability can be derived from any translation.

Crane Co., and its subsidiaries cannot accept responsibility for possible errors in catalogues, brochures, other printed materials, and website information. Crane Co. reserves the right to alter its products without notice, including products already on order provided that such alteration can be made without changes being necessary in specifications already agreed. All trademarks in this material are the property of the Crane Co. or its subsidiaries. The Crane and Crane brands logotype (WESTLOCK CONTROLS®) are registered trademarks of Crane Co. All rights reserved.

## WESTLOCK CONTROLS

Head Office	USA	Europe	Asia
280 N. Midland Avenue, Ste 258	+1 201 794 7650	+44 (0)1892 516277	+65 6266 4535
Saddle Brook, NJ 07663			
United States	westlockcontrols.com		