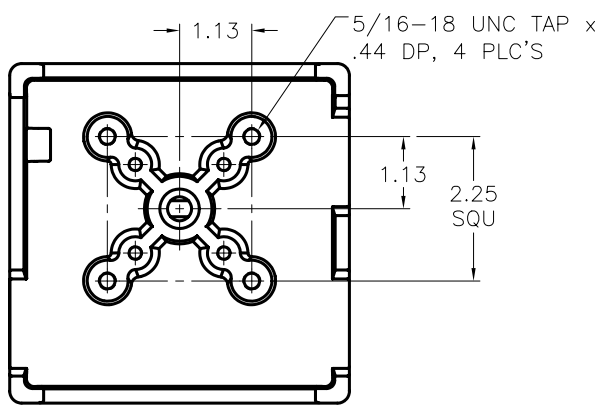
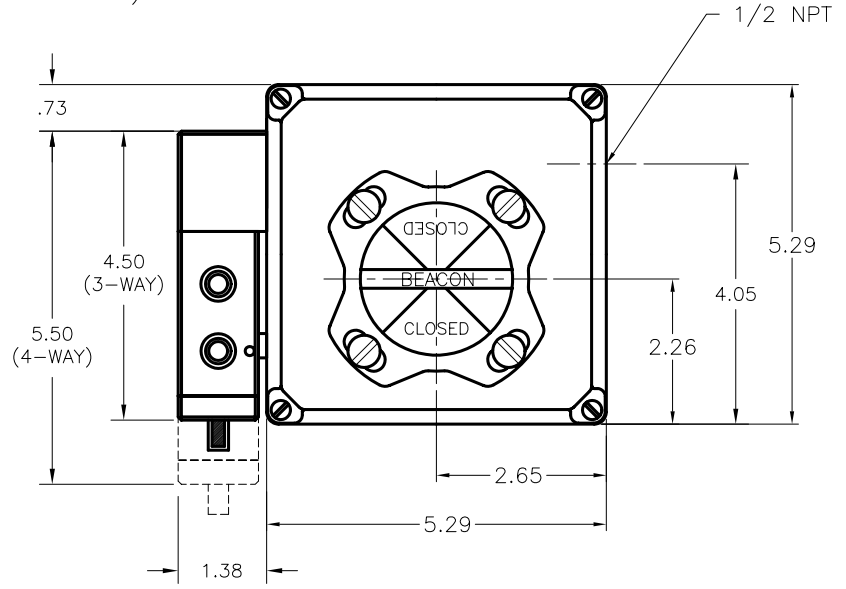
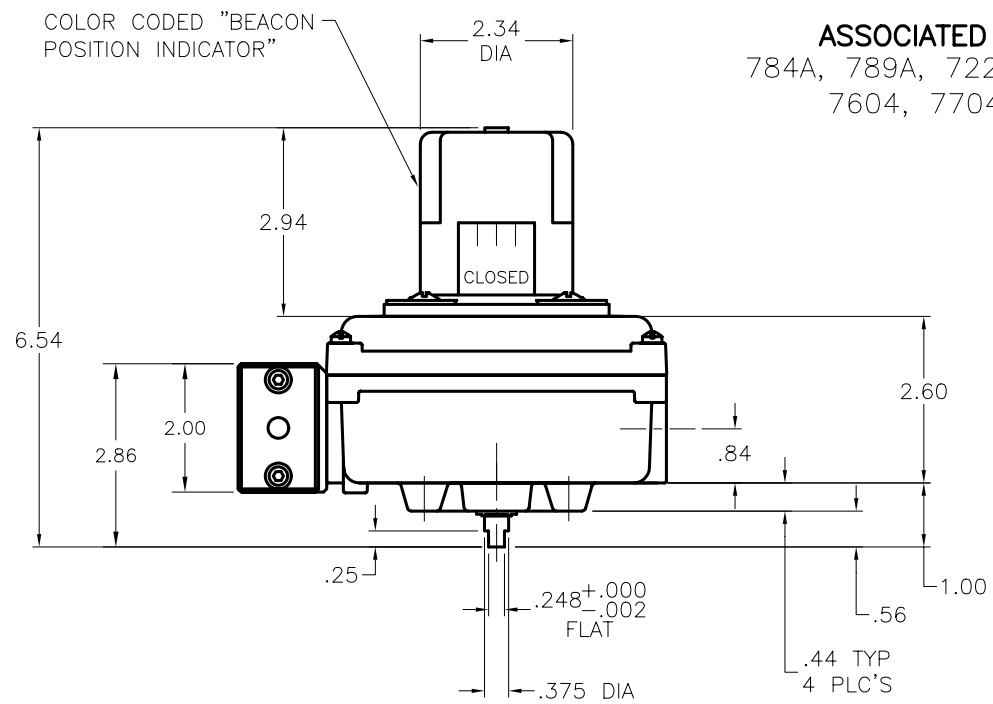
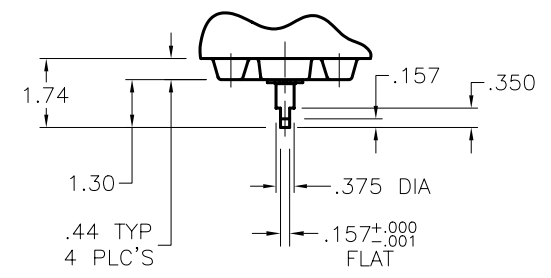


LET	DESCRIPTION	DWN.	D.W.O.	APPROVED	DATE

**ASSOCIATED MODEL NUMBERS**  
 784A, 789A, 722A, 7204, 7304, 7504,  
 7604, 7704 (W/1.2CV VALVE)



**BOTTOM VIEW**  
 VIEW SHOWN W/O SOLENOID



**OPTIONAL NAMUR SHAFT**

THIS DRAWING CONTAINS CONFIDENTIAL INFORMATION AND IS ISSUED IN CONFIDENCE ON THE CONDITION THAT IT BE RETURNED ON DEMAND AND NOT BE COPIED, REPRO- DUCED, DISCLOSED TO OTHERS OR USED IN MANUFACTURE OF THE SUBJECT MATTER THEREOF WITHOUT THE WRITTEN CONSENT OF WESTLOCK CONTROLS CORP.	UNITS ARE IN INCHES UNLESS OTHERWISE SPECIFIED	APPROVAL DRAWN: MKT 9/27/05	DATE 9/27/05	<b>WESTLOCK</b> CONTROLS CORPORATION TITLE: DIMS N4A STD FLCN-A 1/2NPT-A BCN-CVR STD&NMR-SHFT BCN-2WY (1.2CV 3WY/4WY)	
	TOLERANCES UNLESS OTHERWISE SPECIFIED: INCHES MILLIMETERS .XX ± .015 .X ± .4 .XXX ± .005 .XX ± .13 ANGLE ± 1/2° ANGLE ± 1/2°	CHECKED:	APPROVED: JK 10/04/05		SIZE: B
	THIRD ANGLE PROJECTION	DRAFTING WORK ORDER: 16958	DWG NUMBER: DS-10799		REV:
		MATERIAL: N/A	DO NOT SCALE DRAWING		SCALE: N/A
	SHEET: 1 OF 1				