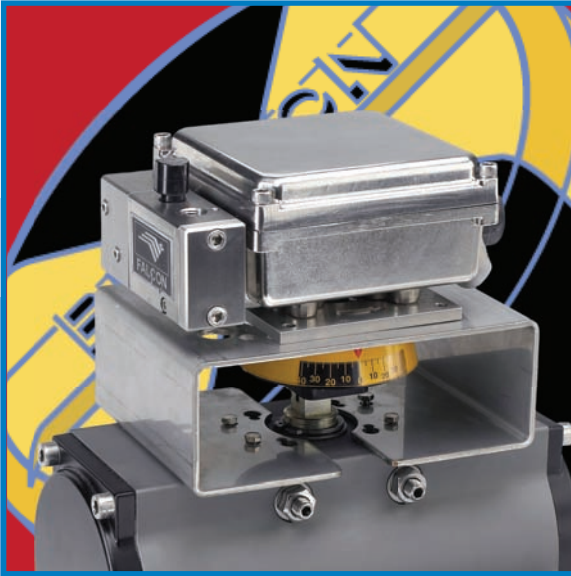


EPIC Control Transmitter

Tech-393



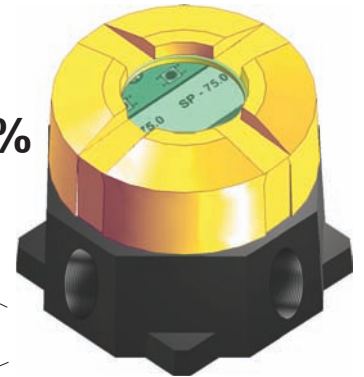
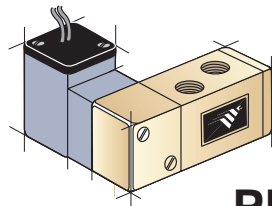
Westlock technological innovation is again changing the way valves are controlled and monitored by eliminating position blind spots during the stroke of the valve with unique HART enabled 4-20 mA continuous position feedback for discrete rotary and linear valves.

Many integral features of the EPIC are specifically engineered for critical service applications, ESD valves for instance, where timely response to valve/actuator failure is essential. The integrated PST functionality may be initiated locally or via the asset management software or HART 275/375 Communicator using standard HART commands. With Exida calculated PFD and SFF values suitable for SIL3 service, easy setup and calibration, integrated HMI and local push button interface; the EPIC provides a highly cost effective alternative to positioners for SIS applications.



- HART enabled 4 - 20 mA position indicator
- Suitable for SIL3 applications per Exida FMEDA
- A Type A³ device according to IEC61508 having a hardware fault tolerance of zero
- ATEX approvals
- Non-contact Hall Effect position sensor
- Low power 0.5 W integrated Falcon Solenoid
- 0.5 - 10 Cv solenoid valve body options
- Integrated SIS ESD/PST functionality
- Stainless steel, aluminum and engineered resin housing options
- Suitable for rotary and linear valves

SFF = 86.2%
Safe Failure Fraction

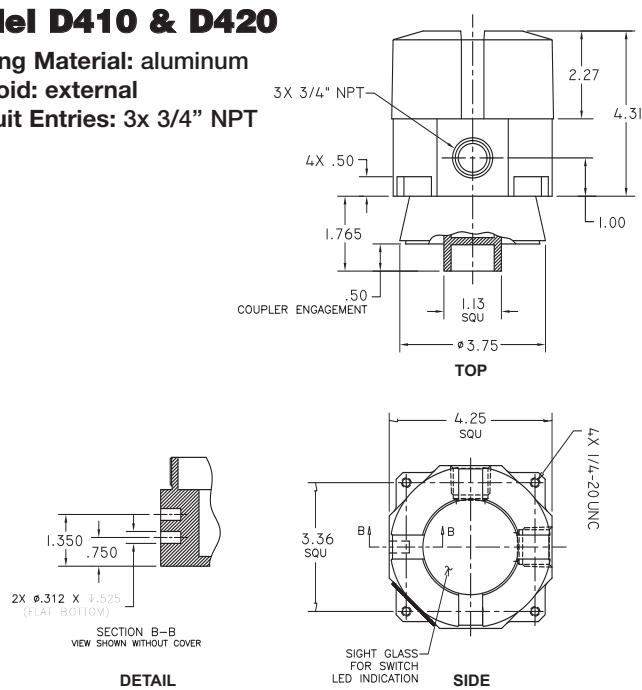


PFD_{avg} = 6.61(10⁻³)
Average Probability of Failure on Demand

Model		Hazardous Area Ratings	Temp. Range	IP Rating	Approval Agency	
D410 & D420	XP	Class I, Div. 1, Grps. B-D; Class II & III, Div. 1, Grps. E, F & G	Zone 1 AEx d IIB+H2 Ex d IIB+H2	-50°C to +85°C	IP67	Ex
	NI	Class I, Div. 2, Grps. A-D;	Zone 2 AEx nA IIC Ex nA IIC	-50°C to +85°C	IP67	SP US
D430 - D450	NI	Class I, Div. 2, Grps. A-D; Class II & III, Div. 2, Grps. F & G		-40°C to +85°C	IP67	FM APPROVED
D460 & D470	XP	Class I, Div. 1, Grps. B-D; Class II & III, Div. 1, Grps. E, F & G	Zone 1 AEx d IIB+H2	-50°C to +85°C	IP68	FM US APPROVED
	NI	Class I, Div. 2, Grps. A-D;	Zone 2 AEx nA IIC	-50°C to +85°C	IP68	Ex

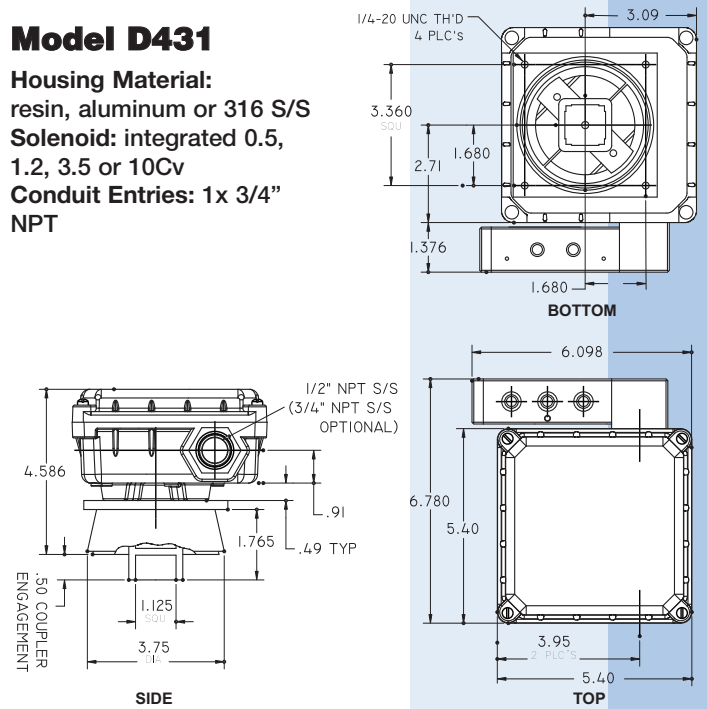
Model D410 & D420

Housing Material: aluminum
Solenoid: external
Conduit Entries: 3x 3/4" NPT



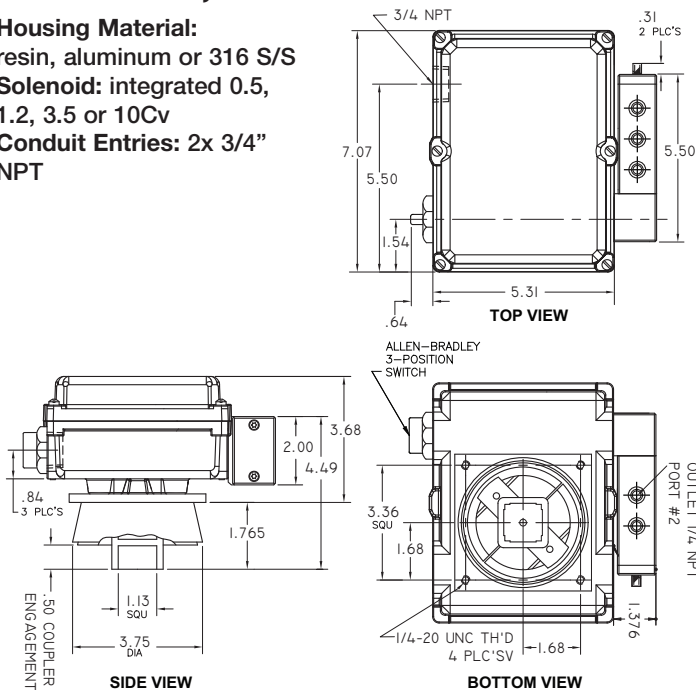
Model D431

Housing Material: resin, aluminum or 316 S/S
Solenoid: integrated 0.5, 1.2, 3.5 or 10Cv
Conduit Entries: 1x 3/4" NPT



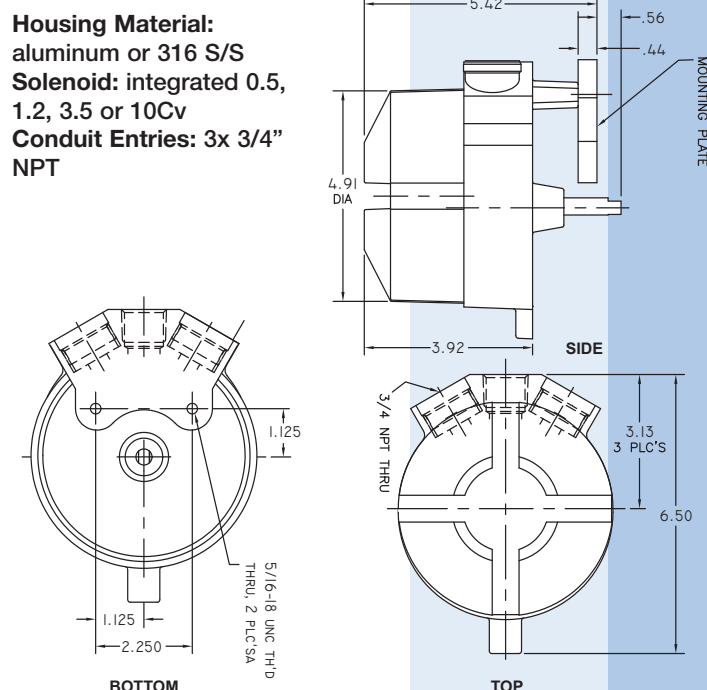
Model D430, D440 & D450

Housing Material: resin, aluminum or 316 S/S
Solenoid: integrated 0.5, 1.2, 3.5 or 10Cv
Conduit Entries: 2x 3/4" NPT



Model D460 & D470

Housing Material: aluminum or 316 S/S
Solenoid: integrated 0.5, 1.2, 3.5 or 10Cv
Conduit Entries: 3x 3/4" NPT



Performance Specifications

EMI: Designed to comply with IEC 801 and EU Standards EN50081 and EN 50082
Repeatability: < 0.3% F.S.
Temperature: < 0.01% F.S./ °C

Linearity: < 0.6% F.S.
Voltage: < 0.2% F.S. from 10 Vdc to 30 Vdc
Resolution: < 0.05% F.S.

WESTLOCK
CONTROLS

Westlock Controls Corp.

280 Midland Avenue
Saddle Brook, NJ 07663
Phone: 201-794-7650
Fax: 201-794-0913

Europe

Westlock Controls LTD.
22 Chapman Way
Royal Tunbridge Wells, Kent
England TN23EF
Phone: 011-44-189-251-9046
Fax: 011-44-189-251-6279

South America

Westlock Equipamentos De
Controles Ltda.
Rua, Sao Paulo 291 - Alphaville
Banueri, Sao Paulo
SP 06464-130
Phone: 011-55-11-4191-0930
Fax: 011-55-11-4191-0931

Ordering Guides by Model viewable at

www.westlockcontrols.com