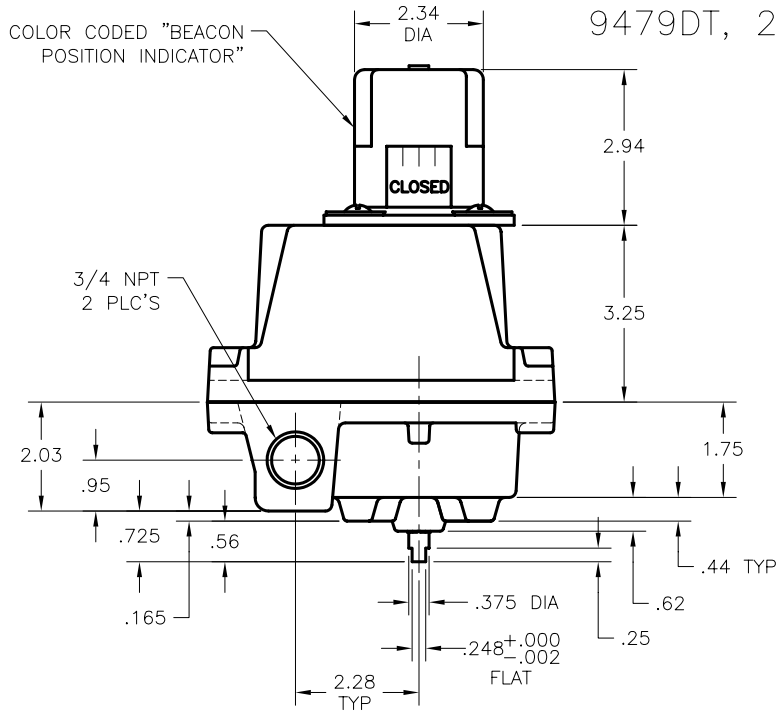


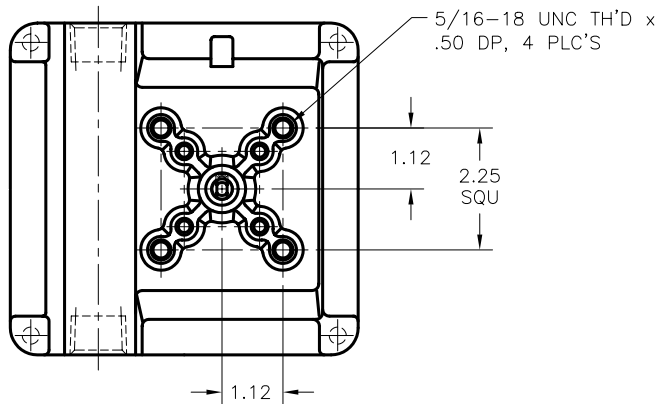
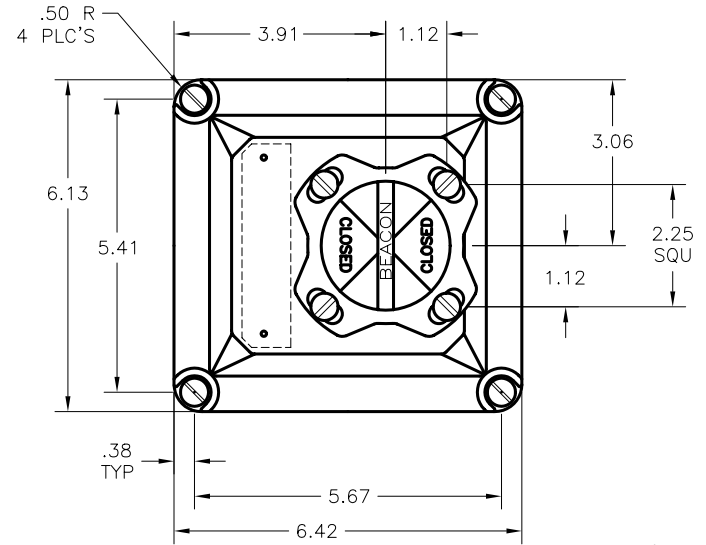
# ASSOCIATED MODEL NUMBERS

9479DT, 2007X-4DPDT, 2007X-6SPDT,  
9479-6SPDT

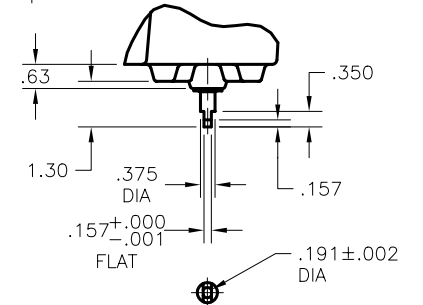
LET	DESCRIPTION	DWN.	D.W.O.	APPROVED	DATE
A	REVISED PER ECN# 10940	CBS	16952	JK	10/12/05



**SIDE VIEW**



**BOTTOM VIEW**



**OPTIONAL NAMUR SHAFT**

DIMENSIONS ARE IN INCHES.

THIS DRAWING CONTAINS CONFIDENTIAL INFORMATION AND IS ISSUED IN CONFIDENCE ON THE CONDITION THAT IT BE RETURNED ON DEMAND AND NOT BE COPIED, REPRODUCED, DISCLOSED TO OTHERS OR USED IN MANUFACTURE OF THE SUBJECT MATTER THEREOF WITHOUT THE WRITTEN CONSENT OF WESTLOCK CONTROLS CORP.	UNITS ARE IN INCHES UNLESS OTHERWISE SPECIFIED TOLERANCES UNLESS OTHERWISE SPECIFIED: INCHES      MILLIMETERS .XX ±.015      .X ±.4 .XXX ±.005      .XX ±.13 ANGLE ±1/2°      ANGLE ±1/2°	APPROVAL DRAWN: RJD CHECKED: APPROVED: JK DRAFTING WORK ORDER: 14007	DATE 7/16/02 10/12/05	<b>WESTLOCK</b> CONTROLS CORPORATION TITLE: DIMS N7(N) STD 3/4"NPT-(A,B) HI-CVR STD & NMR-SHFT BCN-2WY		
	THIRD ANGLE PROJECTION	MATERIAL: N/A	SIZE: B		DWG NUMBER: DS-10694	REV: A
	DO NOT SCALE DRAWING	SCALE: N/A	SHEET: 1 OF 1			