



**Agency Approvals:**  
Non Hazardous

## Product Overview

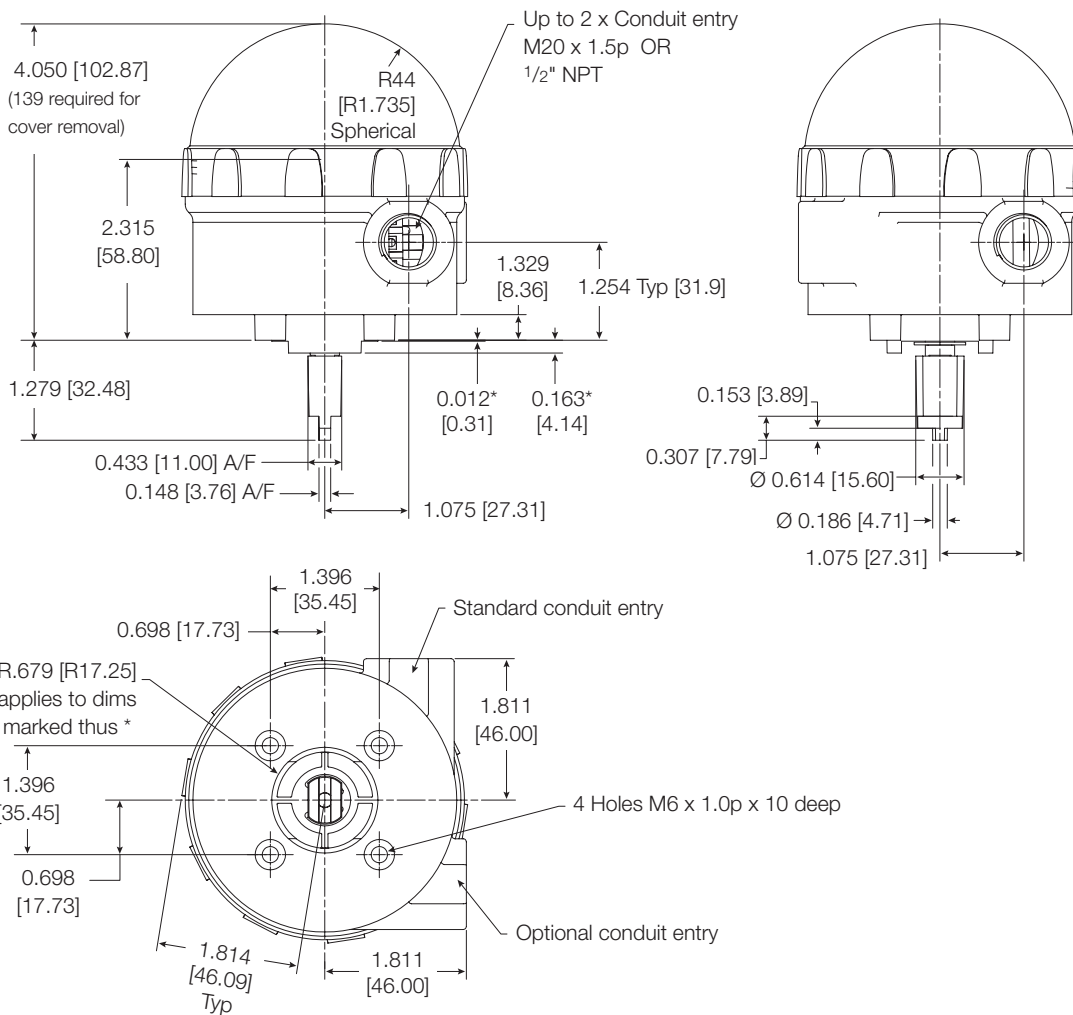
1145 - Accutrak Rotary Position Monitor  
with SPDT Mechanical Switches

## Features and Benefits

- Dome Shaped Visual Indication  
Provides visual feedback of Valve Open Or Closed Position in line with standard Westlock Visual Indication Design.
- Centralization Plate allowing for accurate setting of switches, improving repeatability and minimizing hysteresis when setting with cover off.
- Quality Mechanical switches roller arm, and soldered and sheathed wires.
- Quick release design of terminal strip bracket allows removal of terminal strip to aid wiring at commissioning and installation stage.
- IP66 ABS Enclosure ensures both strength and corrosion resistance.
- Standard Supply of IP rated plugs to avoid ingress during site storage and transportation prior to installation.
- Extra Conduit and Terminal strip points entrance allows for possible electrical integration of Solenoid Valves.
- Namur VDI/VDE standard mounting arrangement with centralization ring for ease of mounting via a bracket (optional supply) onto Namur Actuators.



**Dimensions Model 1145**



**Technical Specifications**

**Materials of Construction**

Enclosure: ABS Resin  
 Shaft: ABS Resin  
 Beacon Indication: ABS Resin

Temperature Rating: -4°F to 176°F  
 [-20°C to 80°C]

**Available Switches**

V3 Mechanical Switches, SPDT  
 (For switch electrical rating see reference section)

Ordering Guide

Design

11 Non Hazardous Applications

**Cover Style**

4 With Beacon

**Switch Type**

5 Microswitch SPDT Silver Plated Contacts

**Housing Material**

R ABS Plastic

**Beacon Type and Color**

BY Black/Yellow standard height

**Drive Shaft Type**

N NAMUR standard shaft – VDI/VDE 3845

**Ancillary Options**

000 Not Applicable

**Switch Quantity**

2 Two switches

**Conduit Entries Supplied**

2 Two conduit entries – All Enclosures

**Unit Specification**

AAA M20 Conduits – Std. material and build  
FAN 1/2" NPT Conduits – Std. material and build

**Certification**

0 General Purpose

**Revision**

R1 Revision #

11 4 5 R BY N 000 2 2 AAA 0 R1 = Model Number **1145RBYN00022AAA0R1**

---

**USA/Canada:** Saddle Brook, NJ  
Ph: 201-794-7650  
Dedicated Order Fax: 201-794-4790  
General Fax: 201-794-0913  
[www.westlockcontrols.com](http://www.westlockcontrols.com)

**Europe/Asia:** Kent, England  
Ph: + 44 189 251 6277  
Fax: + 44 189 251 6279  
[www.westlockuk.com](http://www.westlockuk.com)

**Latin America:** Barueri, Sao Paulo  
Ph: + 55 11 2588 1400  
Fax: + 55 11 2588 1410  
[www.westlock.com.br](http://www.westlock.com.br)

---

Tyco Flow Control (TFC) provides the information herein in good faith but makes no representation as to its comprehensiveness or accuracy. This data sheet is intended only as a guide to TFC products and services. Individuals using this data sheet must exercise their independent judgment in evaluating product selection and determining product appropriateness for their particular purpose and system requirements. TFC MAKES NO REPRESENTATIONS OR WARRANTIES, EITHER EXPRESS OR IMPLIED, INCLUDING WITHOUT LIMITATION ANY WARRANTIES OF MERCHANTABILITY OR FITNESS FOR A PARTICULAR PURPOSE WITH RESPECT TO THE INFORMATION SET FORTH HEREIN OR THE PRODUCT(S) TO WHICH THE INFORMATION REFERS. ACCORDINGLY, TFC WILL NOT BE RESPONSIBLE FOR DAMAGES (OF ANY KIND OR NATURE, INCLUDING INCIDENTAL, DIRECT, INDIRECT, OR CONSEQUENTIAL DAMAGES) RESULTING FROM THE USE OF OR RELIANCE UPON THIS INFORMATION. Patents and Patents Pending in the U.S. and foreign countries. Tyco reserves the right to change product designs and specifications without notice. All registered trademarks are the property of their respective owners. Printed in the USA.