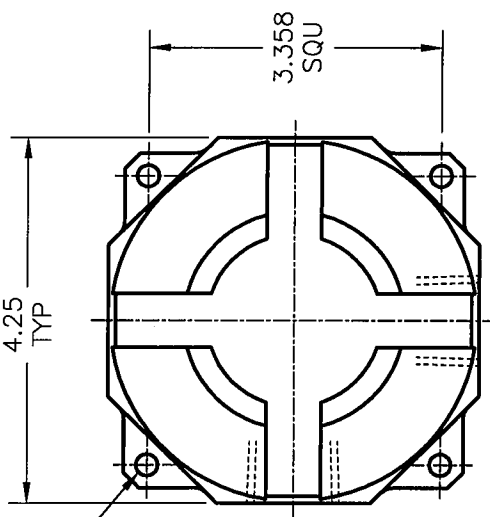
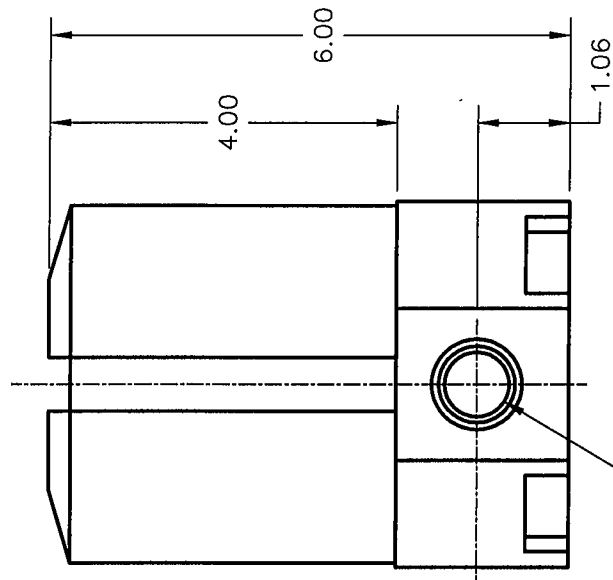


| | | | | | |
|-----|-------------|------|--------|----------|------|
| LET | DESCRIPTION | DWN. | D.W.O. | APPROVED | DATE |
| | | | | | |



.19 DIA THRU
4 PLC'S



3/4 NPT
2 PLC'S

THIS DRAWING CONTAINS CONFIDENTIAL INFORMATION AND IS ISSUED IN CONFIDENCE ON THE CONDITION THAT IT BE RETURNED ON DEMAND AND NOT BE COPIED, REPRODUCED, DISCLOSED TO OTHERS OR USED IN MANUFACTURE OF THE SUBJECT MATTER THEREOF WITHOUT THE WRITTEN CONSENT OF WESTLOCK CONTROLS CORP.

| | | |
|--|------------------------------|----------------------|
| UNITS ARE IN INCHES UNLESS OTHERWISE SPECIFIED | APPROVAL | DATE |
| TOLERANCES UNLESS OTHERWISE SPECIFIED: | DRAWN: CBS | 3/7/07 |
| INCHES | CHECKED: <i>[Signature]</i> | 3-7-07 |
| .XX ± .015 | APPROVED: <i>[Signature]</i> | 3/8/07 |
| .XXX ± .005 | DRAFTING WORK ORDER: | 17707 |
| ANGLE ± 1/2° | MATERIAL: N/A | DO NOT SCALE DRAWING |
| MILLIMETERS | SIZE: A | SCALE: N/A |
| .X ± .4 | DWG NUMBER: DS-10821 | SHEET: 1 OF 1 |
| .XX ± .13 | REV: | |
| ANGLE ± 1/2° | | |

THIRD ANGLE PROJECTION

WESTLOCK
CONTROLS CORPORATION

TITLE:
DIM SHT 9881 STD
3/4" NPT- (A,B)
(STROKES GREATER THAN 0.5")