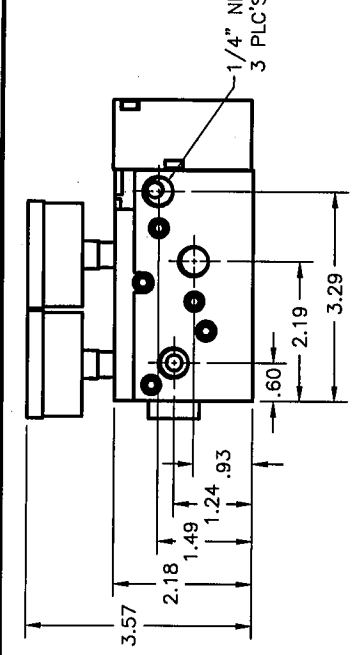
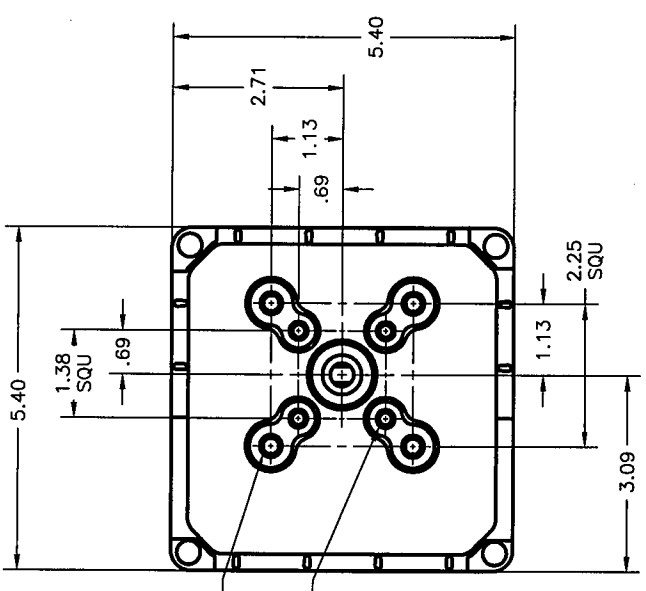
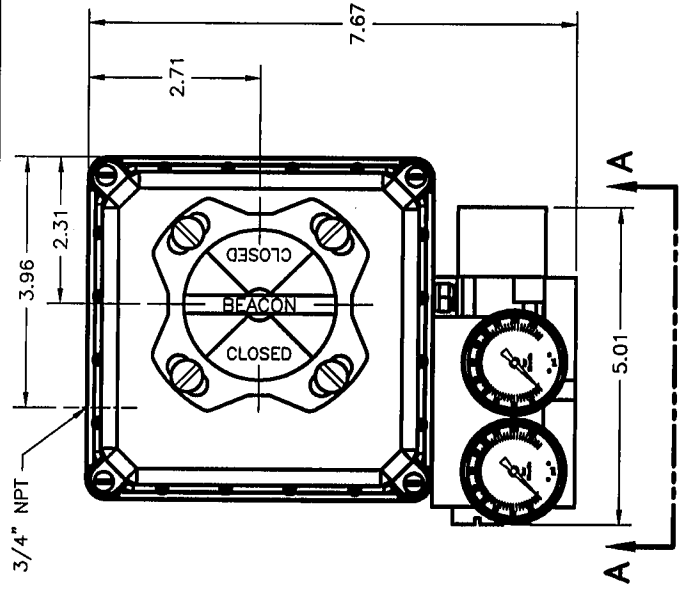


LET	DESCRIPTION	DWN	D.W.O.	APPROVED	DATE
A	K10 WAS EAZICAL (WITHIN THE TITLE)	CBS	18765	[Signature]	7/23/04

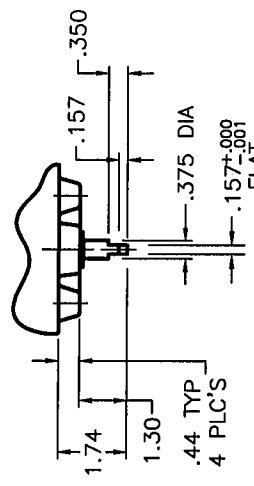


VIEW A-A
(VIEW SHOWN W/OUT UNIT)

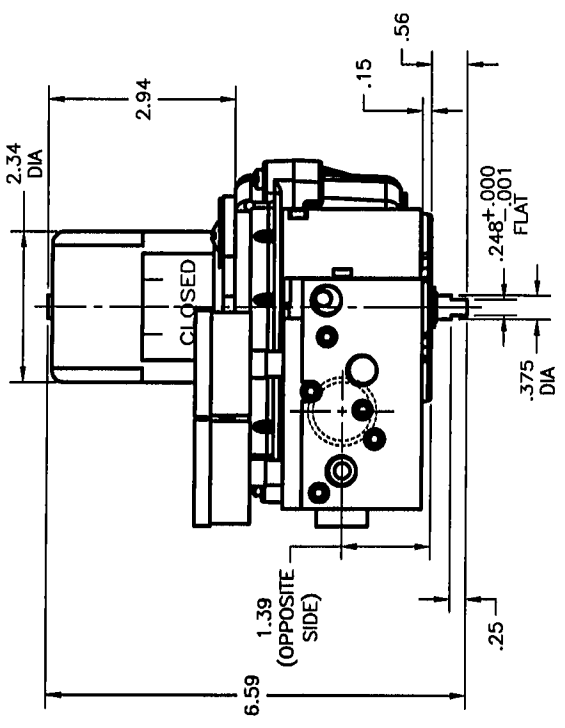


BOTTOM VIEW
(VIEW SHOWN W/OUT MANIFOLD)

5/16-18 UNC TAP x
.30 DP, 4 PLC'S
M6 x 1 TAP x
.30 DP, 4 PLC'S



OPTIONAL NAMUR SHAFT



WESTLOCK CONTROLS CORPORATION		APPROVAL	DATE
TITLE K10 NAR HSG W/NEGIGIBLE BLEED MANIFOLD		DRAWN: MKT	10/7/04
DIMENSIONS K10 NAR HSG W/NEGIGIBLE BLEED MANIFOLD		CHECKED: [Signature]	10/13/04
SIZE: B		APPROVED: RG	10/13/04
DWG NUMBER: DS-10780		DRAFTING WORK ORDER: 16408	
SCALE: N/A		MATERIAL: N/A	
DO NOT SCALE DRAWING			

UNITS ARE IN INCHES UNLESS OTHERWISE SPECIFIED
TOLERANCES UNLESS OTHERWISE SPECIFIED:
INCHES: .XX ±.015, .XXX ±.005, .X ±.4, .XX ±.13
MILLIMETERS: .XX ±.015, .XXX ±.005, .X ±.4, .XX ±.13
ANGLE: 1/2° ±1/2°
THIRD ANGLE PROJECTION

THIS DRAWING CONTAINS CONFIDENTIAL INFORMATION AND IS ISSUED IN CONFIDENCE ON THE CONDITION THAT IT BE RETURNED ON DEMAND AND NOT BE COPIED, REPRODUCED, DISCLOSED TO OTHERS OR USED IN MANUFACTURE OF THE SUBJECT MATTER THEREOF WITHOUT THE WRITTEN CONSENT OF WESTLOCK CONTROLS CORP.

REV: A	DATE: 7/23/04
REV: B	DATE: 10/13/04

REV: A
DS-10780
SHEET: 1 OF 1