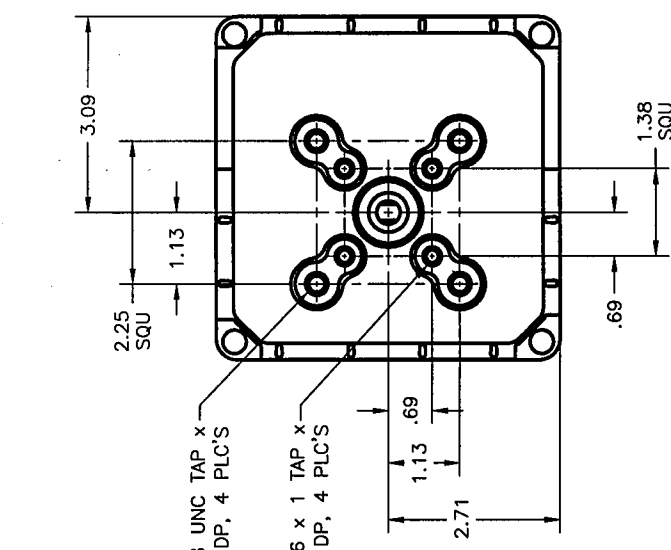
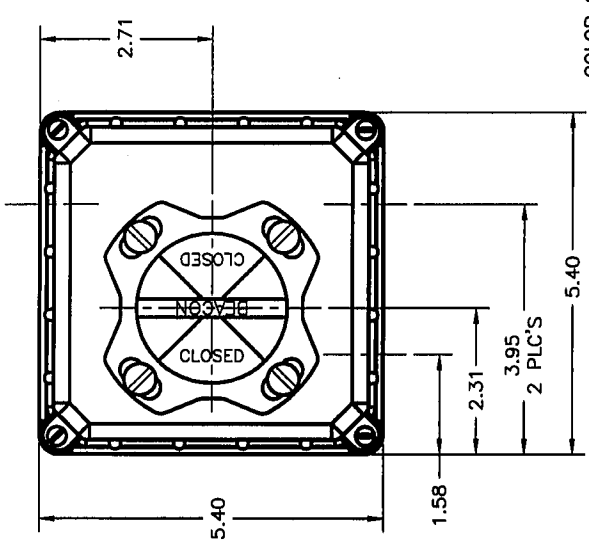


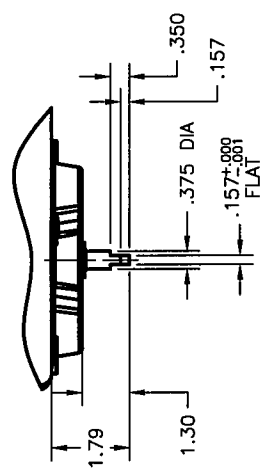
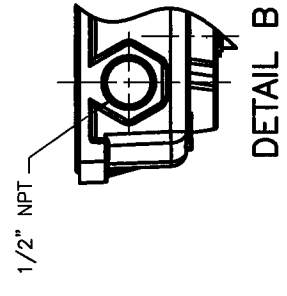
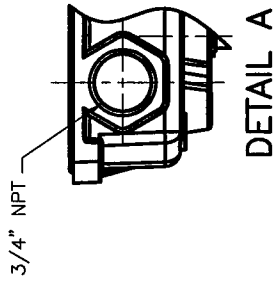
LET	DESCRIPTION	DWN.	D.W.O.	APPROVED	DATE
A	REVISED PER ECN# 10940	CBS	16952		16/01/00



**BOTTOM VIEW**



COLOR CODED "BEACON POSITION INDICATOR"  
 OPTIONAL CONDUIT ENTRY:  
 1/2" NPT OR 3/4" NPT  
 SEE DETAILS A & B  
 (VIEW SHOWN W/O CONDUIT ENTRY)  
 1/2" NPT S/S  
 (3/4" NPT S/S-OPTIONAL)  
 2 PLC'S



**OPTIONAL NAMUR SHAFT**

**ASSOCIATED MODEL NUMBERS**  
 5044, 9468

THIS DRAWING CONTAINS CONFIDENTIAL INFORMATION AND IS ISSUED IN CONFIDENCE THAT IT BE RETURNED ON DEMAND AND NOT BE COPIED, REPRODUCED, DISCLOSED TO OTHERS OR USED IN MANUFACTURE OF THE SUBJECT MATTER THEREOF WITHOUT THE WRITTEN CONSENT OF WESTLOCK CONTROLS CORP.		UNITS ARE IN INCHES UNLESS OTHERWISE SPECIFIED: INCHES MILLIMETERS .XX ±.015 X ±.4 .XXX ±.005 XX ±.13 ANGLE ±1/2° ANGLE ±1/2° THIRD ANGLE PROJECTION	APPROVAL DATE DRAWN: BAG 3/26/04 CHECKED: VRT ID/10/02 APPROVED: J.K. 4/7/04 DRAFTING WORK ORDER: 16019 MATERIAL: N/A DO NOT SCALE DRAWING	<b>WESTLOCK</b> CONTROLS CORPORATION DIM-SHT NMR STD & NMR SHT BCN-2WY TITLE:	REV: A SHEET: 1 OF 1
DWG NUMBER: DS-10760 SCALE: 1:1		DO NOT SCALE DRAWING		SHEET: 1 OF 1	