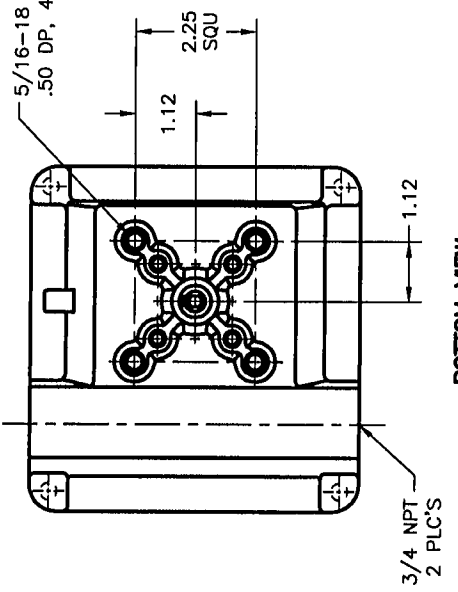
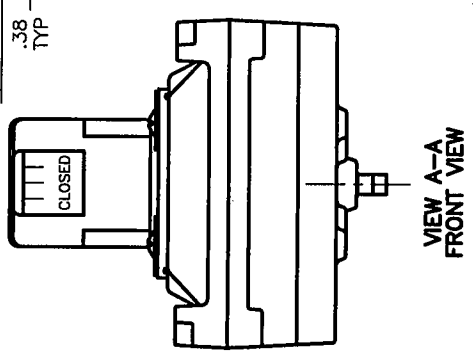
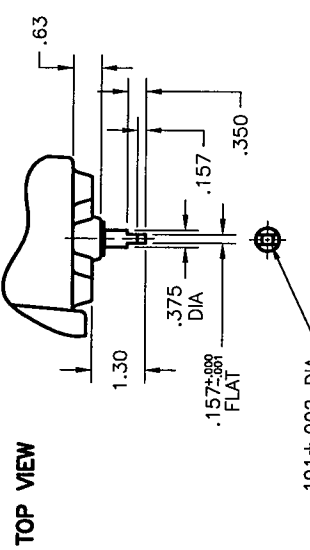
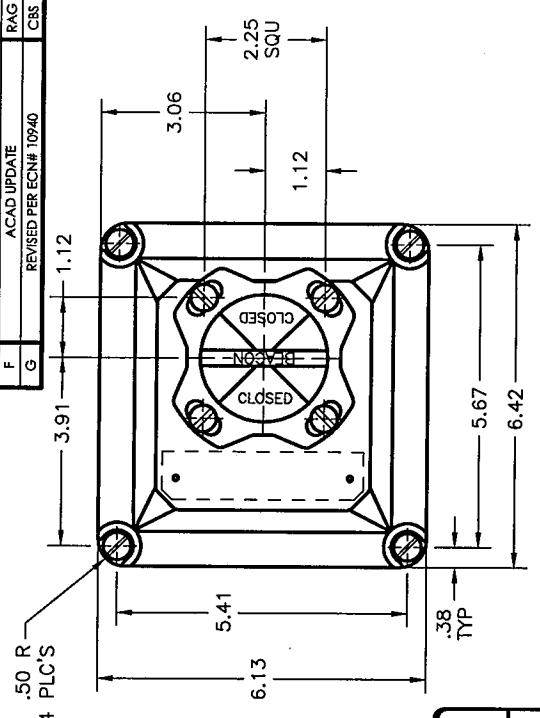
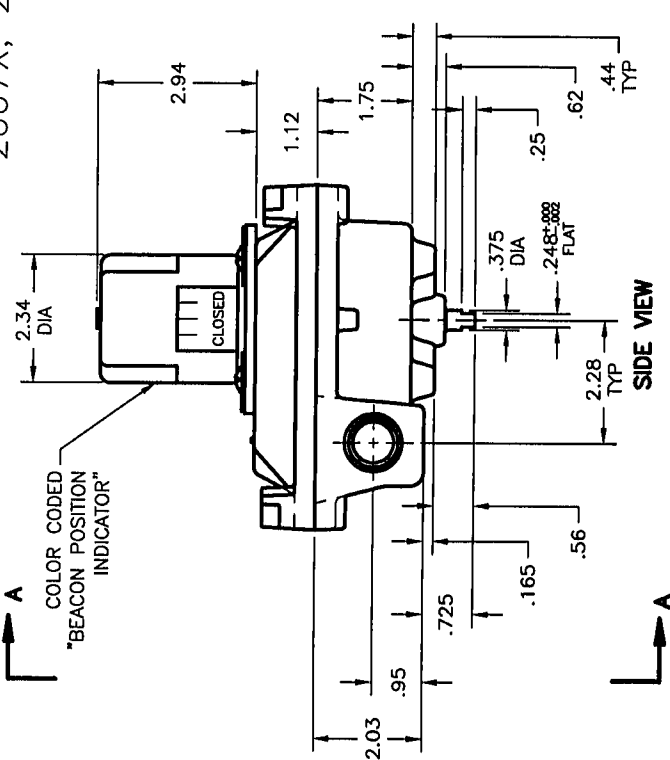


ASSOCIATED MODEL NUMBERS

2007X, 2217, 4040, 5050, 9479

LET	DESCRIPTION	D.W.N.	D.W.D.	APPROVED	DATE
A	ADDED METRIC MTG BOSSES	JIG	4697	-	12/31/05
B	CORRECTED NAMUR OPTION DETAIL	JIG	N/A	-	2/18/97
C	ADDED VIEW A-A (FRONT VIEW)	CBS	6189	-	2/17/98
D	1.12 WAS 1.14, 1.75 WAS 1.76	RJD	6504	-	4/2/98
E	REVISED TO SHOW DROP IN BTM. OF HSG	RJD	7093	-	8/18/98
F	ACAD UPDATE	RAG	14488	-	10/24/02
G	REVISED PER ECN# 10940	CBS	16952	-	11/13/05



THIS DRAWING CONTAINS CONFIDENTIAL INFORMATION AND IS ISSUED IN CONFIDENCE ON THE CONDITION THAT IT BE RETURNED ON DEMAND AND NOT BE COPIED, REPRODUCED, DISCLOSED TO OTHERS OR USED IN MANUFACTURE OF THE SUBJECT MATTER THEREOF WITHOUT THE WRITTEN CONSENT OF WESTLOCK CONTROLS CORP.

UNITS ARE IN INCHES UNLESS OTHERWISE SPECIFIED

TOLERANCES UNLESS OTHERWISE SPECIFIED:	INCHES	MILLIMETERS
.XX	±.015	X ±.4
.XXX	±.008	.XX ±.13
ANGLE	±.1/2°	ANGLE ±.1/2°

THIRD ANGLE PROJECTION

APPROVAL: DATE: 8/23/96
 DRAWN: JIG
 CHECKED: HRT
 APPROVED: [Signature]
 DRAFTING WORK ORDER: 3617

MATERIAL: N/A
 DO NOT SCALE DRAWING

SCALE: N/A

WESTLOCK CONTROLS CORPORATION

TITLE: DIMS N7(N) STD 3/4 NPT (A, B) BCN-CVR STD & NAMUR-SHIFT BCN-2MY

SHEET: 1 OF 1

REV: G
 DS-10385