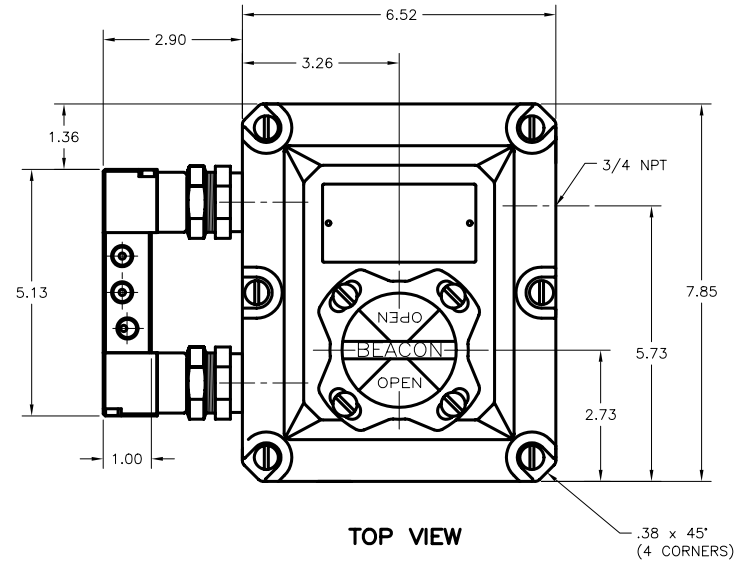
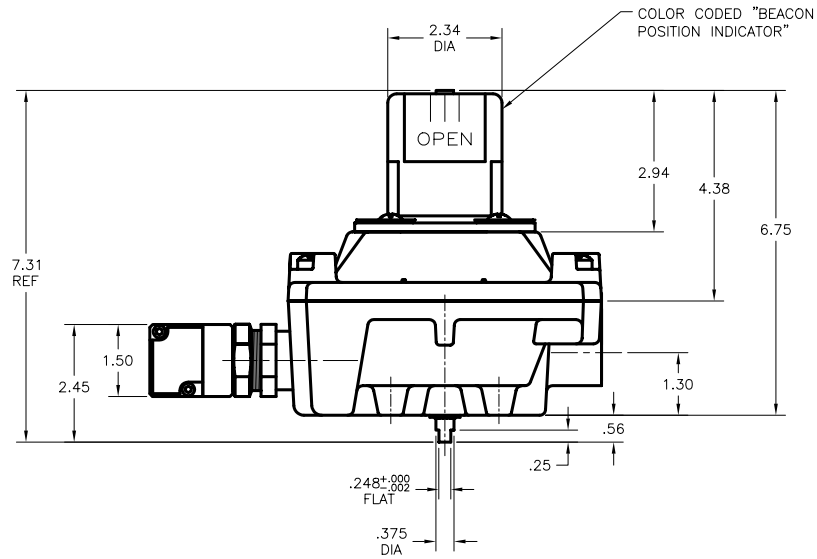
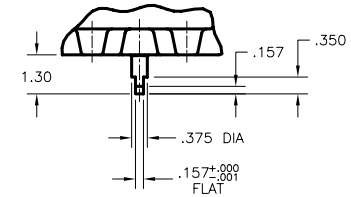
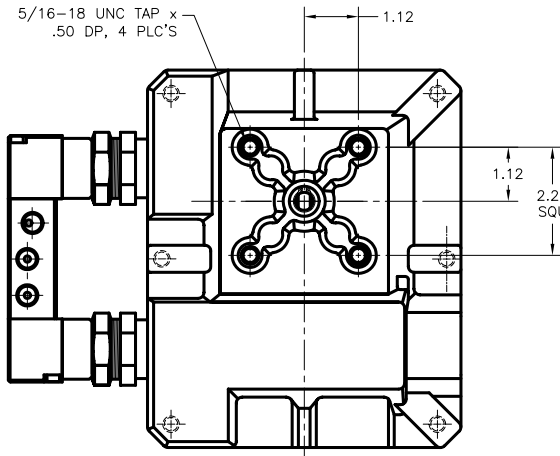


ASSOCIATED MODEL NUMBERS
877, 7575, 7675, 7775
(W/0.5CV VALVE)

LET	DESCRIPTION	DWN.	D.W.O.	APPROVED	DATE



TOP VIEW



OPTIONAL NAMUR SHAFT

<p>THIS DRAWING CONTAINS CONFIDENTIAL INFORMATION AND IS ISSUED IN CONFIDENCE ON THE CONDITION THAT IT BE RETURNED ON DEMAND AND NOT BE COPIED, REPRODUCED, DISCLOSED TO OTHERS OR USED IN MANUFACTURE OF THE SUBJECT MATTER THEREOF WITHOUT THE WRITTEN CONSENT OF WESTLOCK CONTROLS CORP.</p>	<p>UNITS ARE IN INCHES UNLESS OTHERWISE SPECIFIED</p>	<p>APPROVAL</p>	<p>DATE</p>	<p>WESTLOCK CONTROLS CORPORATION</p>			
	<p>TOLERANCES UNLESS OTHERWISE SPECIFIED:</p>	<p>DRAWN:</p>	<p>9/27/05</p>				
	<p>INCHES MILLIMETERS</p>	<p>CHECKED:</p>	<p> </p>				
	<p>.XX ± .015 .X ± .4 .XXX ± .005 .XX ± .13 ANGLE ± 1/2° ANGLE ± 1/2°</p>	<p>APPROVED:</p>	<p>10/04/05</p>				
	<p>THIRD ANGLE PROJECTION</p>	<p>DRAFTING WORK ORDER:</p>	<p>16960</p>				
<p>MATERIAL:</p>	<p>N/A</p>	<p>SIZE:</p>	<p>B</p>	<p>DWG NUMBER:</p>	<p>DS-10801</p>	<p>REV:</p>	<p> </p>
<p>DO NOT SCALE DRAWING</p>	<p>SCALE:</p>	<p>N/A</p>	<p> </p>	<p>SHEET:</p>	<p>1 OF 1</p>		