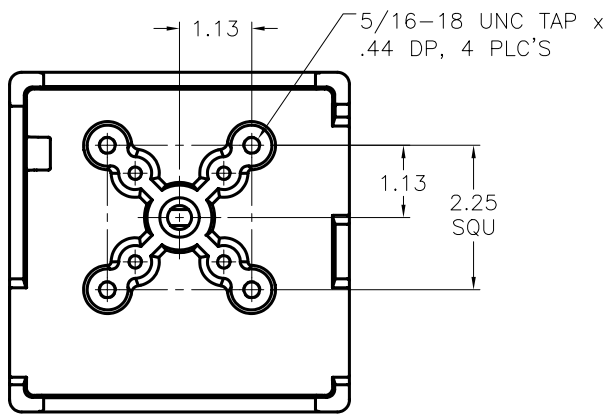
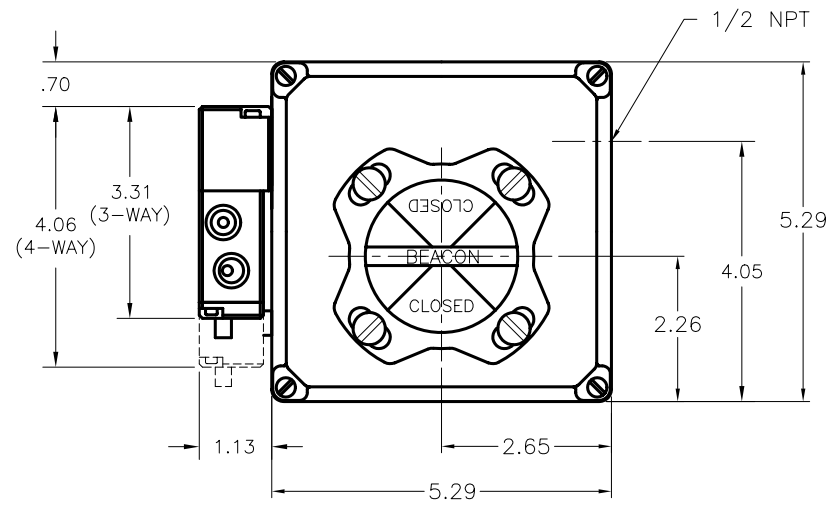
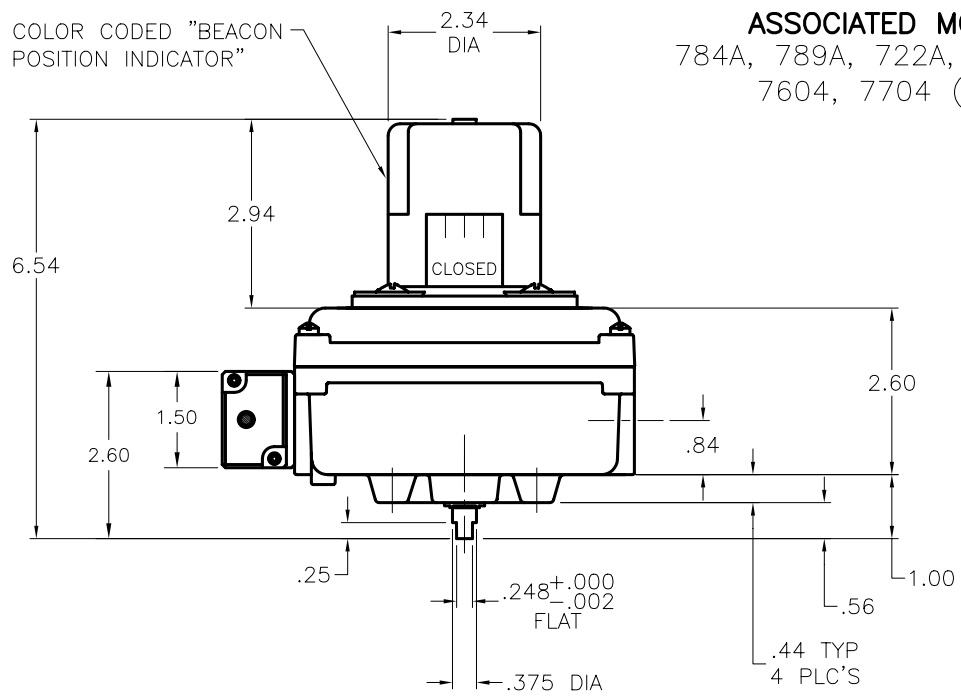


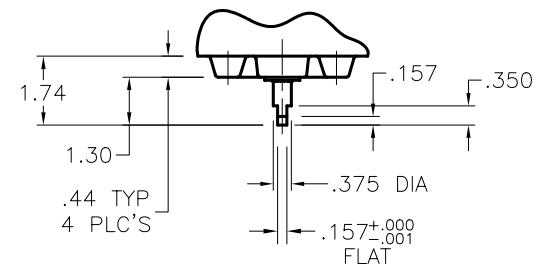
LET	DESCRIPTION	OWN.	D.W.O.	APPROVED	DATE

ASSOCIATED MODEL NUMBERS

784A, 789A, 722A, 7204, 7304, 7504,
7604, 7704 (W/0.5CV VALVE)



BOTTOM VIEW
VIEW SHOWN W/O SOLENOID



OPTIONAL NAMUR SHAFT

THIS DRAWING CONTAINS CONFIDENTIAL INFORMATION AND IS ISSUED IN CONFIDENCE ON THE CONDITION THAT IT BE RETURNED ON DEMAND AND NOT BE COPIED, REPRODUCED, DISCLOSED TO OTHERS OR USED IN MANUFACTURE OF THE SUBJECT MATTER THEREOF WITHOUT THE WRITTEN CONSENT OF WESTLOCK CONTROLS CORP.	UNITS ARE IN INCHES UNLESS OTHERWISE SPECIFIED	APPROVAL DRAWN: MKT 9/28/05	DATE 9/28/05	<p>CONTROLS CORPORATION</p>		
	TOLERANCES UNLESS OTHERWISE SPECIFIED: INCHES MILLIMETERS	CHECKED:	APPROVED: JK 10/04/05		TITLE: DIMS N4A STD FLCN-C 1/2NPT-A BCN-CVR STD&NMR-SHFT BCN-2WY (0.5CV 3WY/4WY)	
	.XX ± .015 .X ± .4 .XXX ± .005 .XX ± .13 ANGLE ± 1/2° ANGLE ± 1/2°	DRAFTING WORK ORDER: 16958	MATERIAL: N/A		SIZE: B	DWG NUMBER: DS-10798
	THIRD ANGLE PROJECTION		DO NOT SCALE DRAWING		SCALE: N/A	SHEET: 1 OF 1