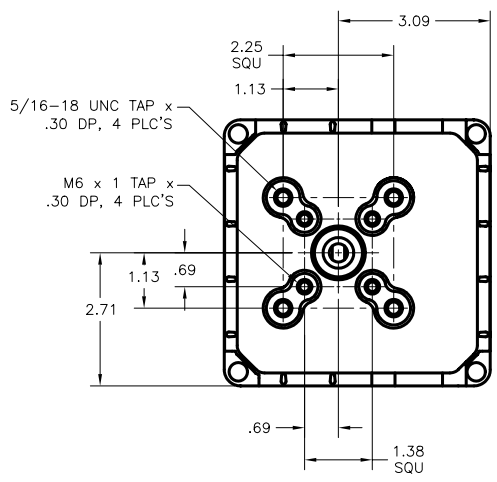
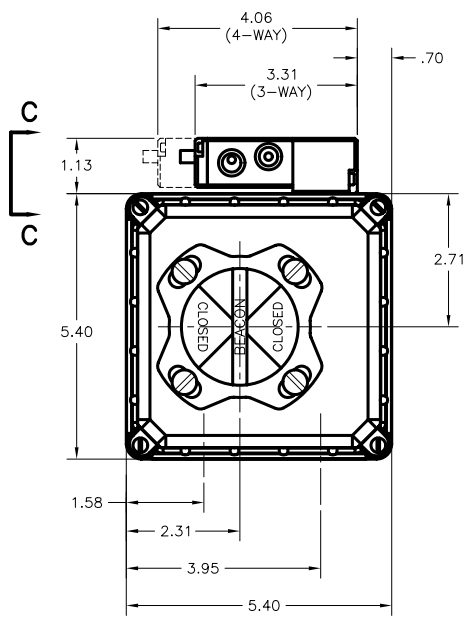
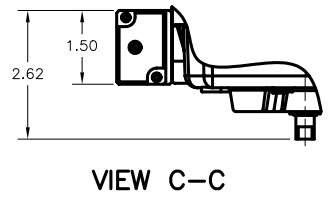
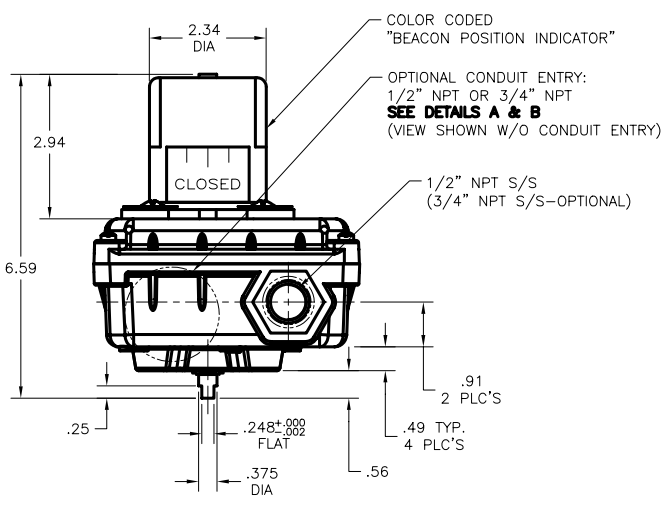
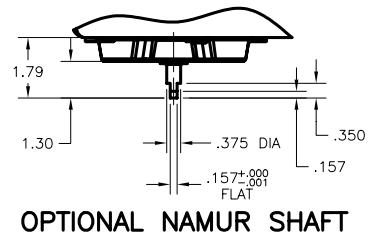
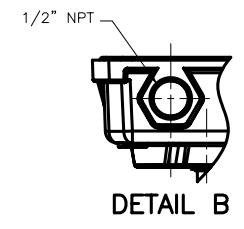
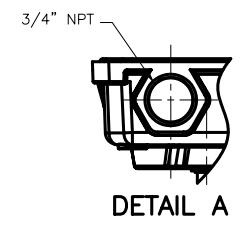


LET	DESCRIPTION	DWN.	D.W.O.	APPROVED	DATE
A	REVISED PER ECN# 10940	CBS	16952	JK	10/12/05

ASSOCIATED MODEL NUMBERS
 764, 711, 765 (W/.5CV VALVES)
 7344, 7544, 7644, 7744, 7244



BOTTOM VIEW
 VIEW SHOWN W/O SOLENOID & CONNECTOR



THIS DRAWING CONTAINS CONFIDENTIAL INFORMATION AND IS ISSUED IN CONFIDENCE ON THE CONDITION THAT IT BE RETURNED ON DEMAND AND NOT BE COPIED, REPRODUCED, DISCLOSED TO OTHERS OR USED IN MANUFACTURE OF THE SUBJECT MATTER THEREOF WITHOUT THE WRITTEN CONSENT OF WESTLOCK CONTROLS CORP.	UNITS ARE IN INCHES UNLESS OTHERWISE SPECIFIED TOLERANCES UNLESS OTHERWISE SPECIFIED: INCHES MILLIMETERS .XX ± .015 .X ± .4 .XXX ± .005 .XX ± .13 ANGLE ± 1/2° ANGLE ± 1/2°	APPROVAL DRAWN: RAG 1/20/05 CHECKED: APPROVED: JK 1/20/05 DRAFTING WORK ORDER: 16555	DATE 1/20/05 1/20/05	WESTLOCK CONTROLS CORPORATION TITLE: DIMS N4R STD FLCN .5CV-C BCN	
	THIRD ANGLE PROJECTION	MATERIAL: N/A	SIZE: C		DWG NUMBER: DS-10789
		DO NOT SCALE DRAWING	SCALE: N/A		REV: A
	SHEET: 1 OF 1				