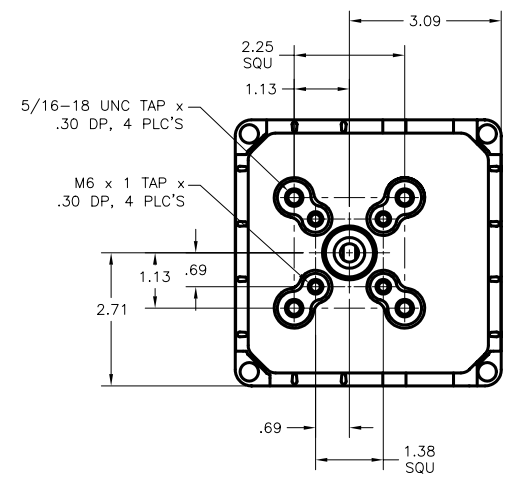
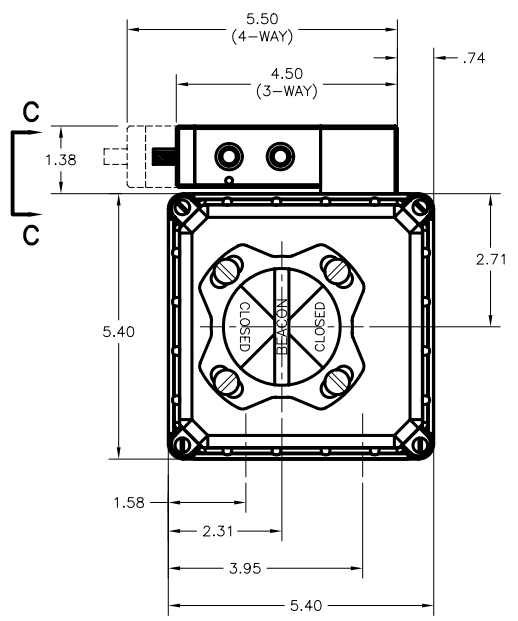
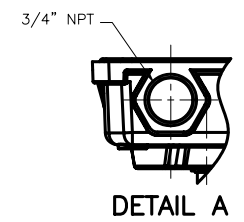


LET	DESCRIPTION	DWN.	D.W.O.	APPROVED	DATE
A	REVISED PER ECN#10940	CBS	16952	JK	10/12/05

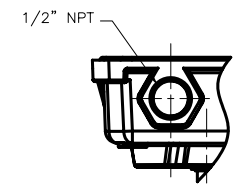
**ASSOCIATED MODEL NUMBERS**  
 764, 711, 765 (W/1.2CV VALVES)  
 7344, 7544, 7644, 7744, 7244



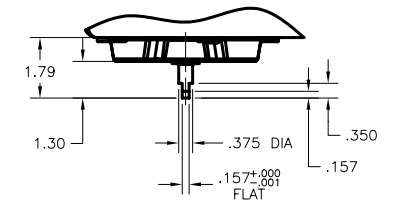
**BOTTOM VIEW**  
 VIEW SHOWN W/O SOLENOID



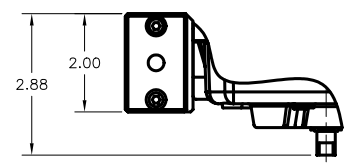
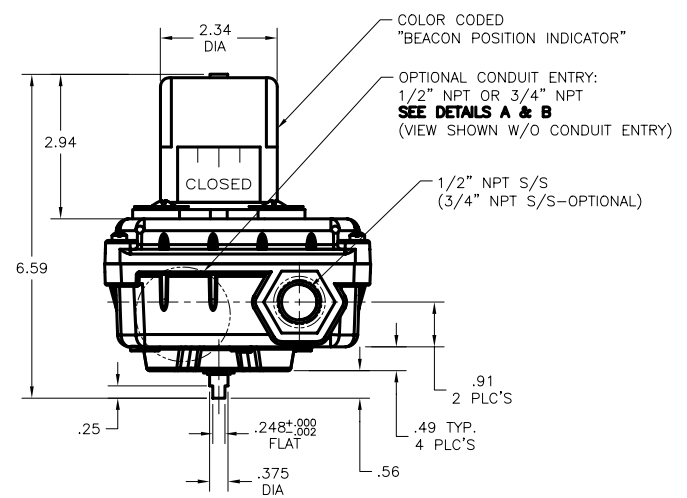
**DETAIL A**



**DETAIL B**



**OPTIONAL NAMUR SHAFT**



**VIEW C-C**

THIS DRAWING CONTAINS CONFIDENTIAL INFORMATION AND IS ISSUED IN CONFIDENCE ON THE CONDITION THAT IT BE RETURNED ON DEMAND AND NOT BE COPIED, REPRODUCED, DISCLOSED TO OTHERS OR USED IN MANUFACTURE OF THE SUBJECT MATTER THEREOF WITHOUT THE WRITTEN CONSENT OF WESTLOCK CONTROLS CORP.	UNITS ARE IN INCHES UNLESS OTHERWISE SPECIFIED	APPROVAL	DATE			
	TOLERANCES UNLESS OTHERWISE SPECIFIED:	DRAWN:	MKT		5/25/04	
	INCHES: .XX ±.015, .XXX ±.005, ANGLE ± 1/2°	CHECKED:	APPROVED:		JK	5/26/04
	MILLIMETERS: .X ±.4, .XX ±.13, ANGLE ± 1/2°	DRAFTING WORK ORDER:			16179	
	THIRD ANGLE PROJECTION	MATERIAL:	N/A		SIZE: C	DWG NUMBER: DS-10770
DO NOT SCALE DRAWING		SCALE: N/A	SHEET: 1 OF 1			