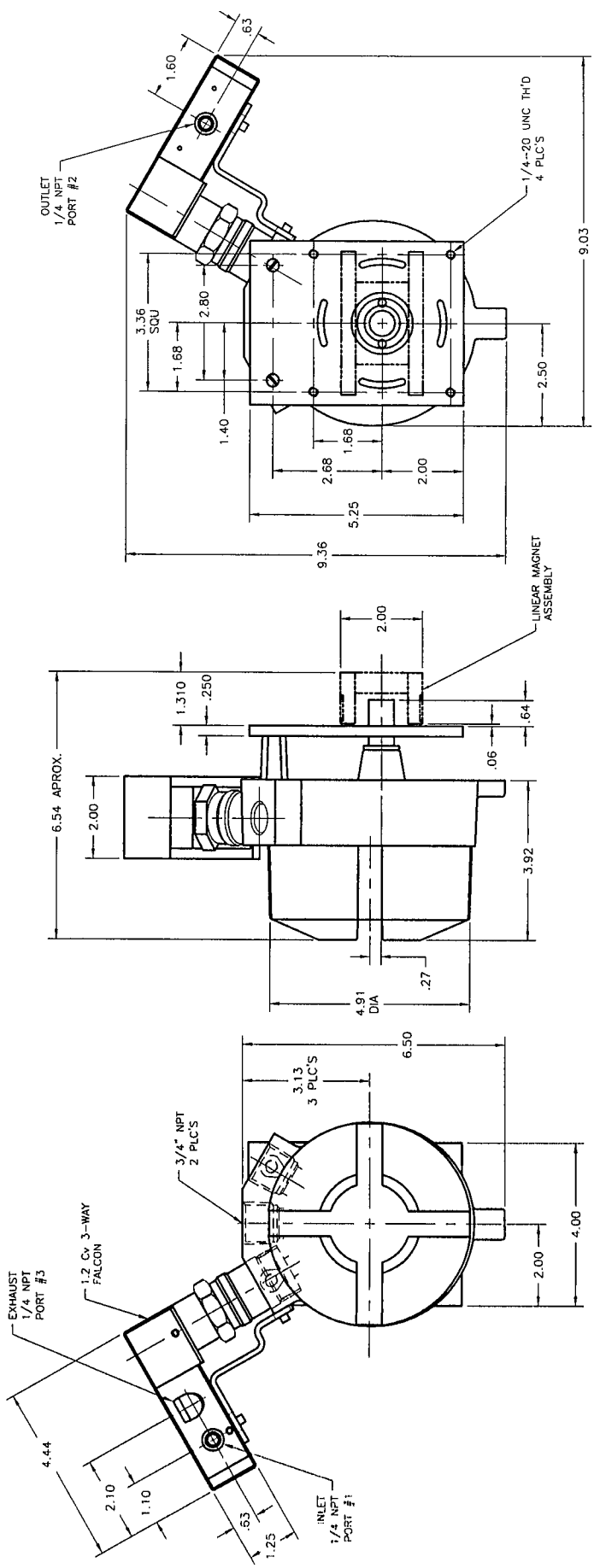


REV	DESCRIPTION	CHKD	DATE	APPROV	DATE
A	REVISED INDICATOR AND RELATED DIMENSIONS	BAO	1/27/71	JK	2/24/73
B	SIZE WAS 3.00, 4.54 WAS 4.12	MC	1/27/77		



(DIMENSIONS ARE IN INCHES)

<b>WESTLOCK</b> CONTROLS CORPORATION		DATE	1/20/73
APPROVAL	DATE	DATE	1/20/73
DRAWN	BY	APPROVED	BY
BAO	JK	JK	JK
TITLE		DRAWING WORK ORDER	14713
DINAMITE 366 STD FALCON (A) 3/4" NPT 1/4" EXHAUST LINE (1) (3) 3/4" NPT W/ELBOW FILTER, NO INDICATOR)		MATERIAL	N/A
REV	DESCRIPTION	SCALE	12
C	DS-10727	DO NOT SCALE DRAWING	1
SHEET		1 OF 1	

UNITS ARE IN INCHES UNLESS OTHERWISE SPECIFIED

THE DRAWING CONTAINS CONFIDENTIAL INFORMATION AND IS ISSUED IN CONFIDENCE ON THE CONDITION THAT IT BE RETURNED ON DEMAND AND NOT BE COPIED, REPRODUCED, DISCLOSED TO OTHERS OR USED IN MANUFACTURE OF THE SUBJECT MATTER THEREOF WITHOUT THE WRITTEN CONSENT OF WESTLOCK CONTROLS CORP.

INCHES MILLIMETERS  
X 2.54  
X 25.4  
X 254  
X 2540

ANGLE 1:1/2  
TWO-ANGLE PROJECTION