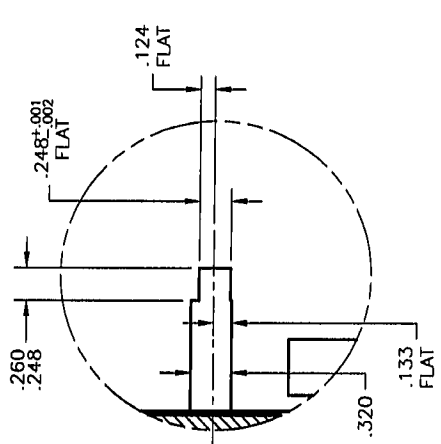
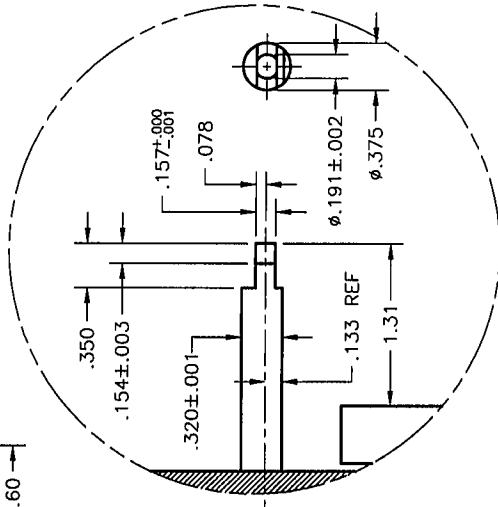
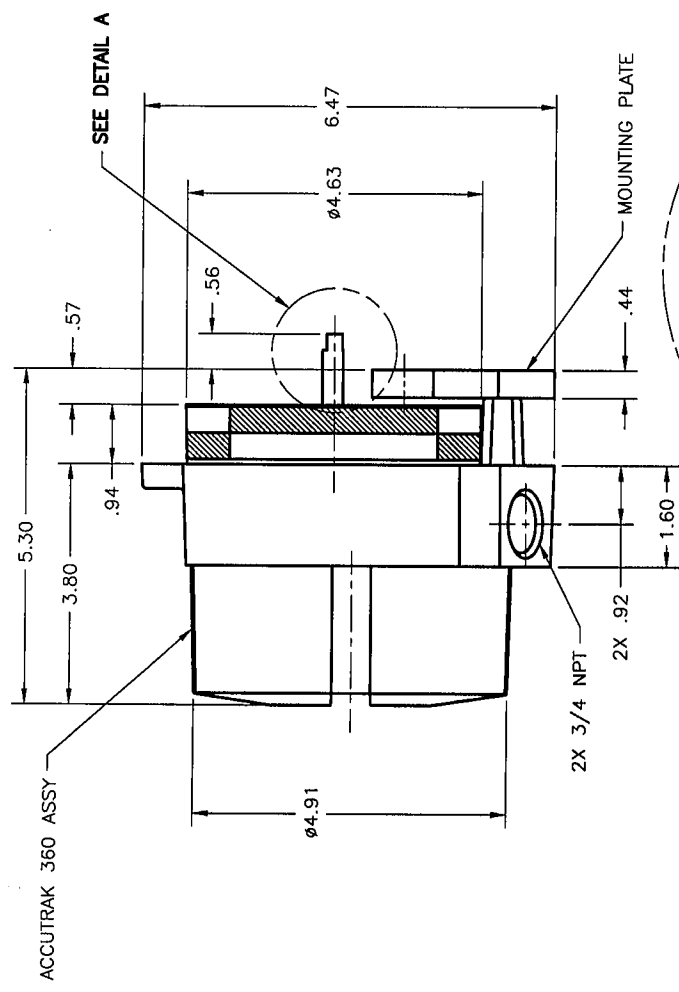
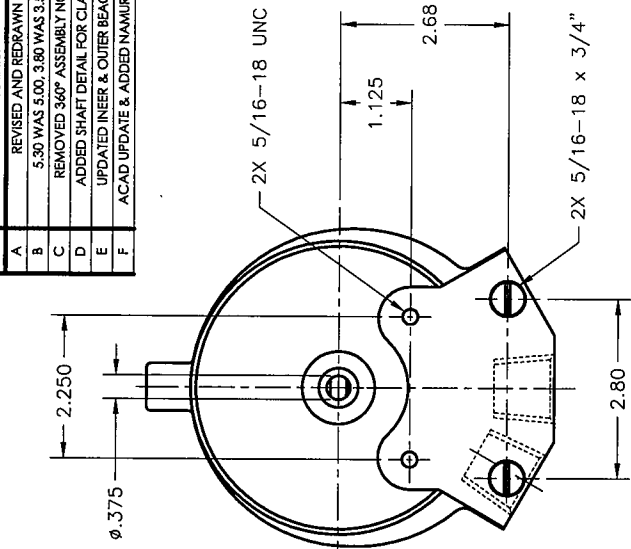


LET	DESCRIPTION	DWNL	D.W.O.	APPROVED	DATE
A	REVISED AND REDRAWN	JUG	N/A	-	2/22/93
B	5.30 WAS 5.00; 3.80 WAS 3.50	BPH	3364	-	12/26/95
C	REMOVED 360° ASSEMBLY NOTE	TML	7200	-	9/14/98
D	ADDED SHAFT DETAIL FOR CLARITY	TML	4102	-	9/24/98
E	UPDATED INNER & OUTER BEACON	MKT	14456	-	10/24/04
F	ACAD UPDATE & ADDED NAMUR DETAIL	RAG	16073	<i>JW</i>	<i>10/24/04</i>



OPTIONAL NAMUR SHAFT  
SCALE 4:1

DETAIL A  
SCALE 4:1

**WESTLOCK**  
CONTROLS CORPORATION

TITLE: DIM-SHT 360 STD  
3/4"NPT-(A,C)

DATE: 3/15/98  
DRAWN: LAC  
CHECKED: *JWS*  
APPROVED: *JW*  
DRAFTING WORK ORDER: 3259

UNITS ARE IN INCHES UNLESS OTHERWISE SPECIFIED:  
INCHES MILLIMETERS  
XX ±.015 X ±.4  
XXX ±.005 XX ±.15  
ANGLE ±.125 ANGLE ±.125

THIS DRAWING CONTAINS CONFIDENTIAL INFORMATION AND IS ISSUED IN CONFIDENCE ON THE CONDITION THAT IT BE RETURNED ON DEMAND AND NOT BE COPIED, REPRODUCED, DISCLOSED TO OTHERS OR USED IN MANUFACTURE OF THE SUBJECT MATTER THEREOF WITHOUT THE WRITTEN CONSENT OF WESTLOCK CONTROLS CORP.

DO NOT SCALE DRAWING

SCALE: 2:1

REV: F

SHEET: 1 OF 1