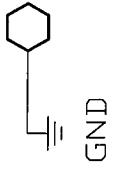
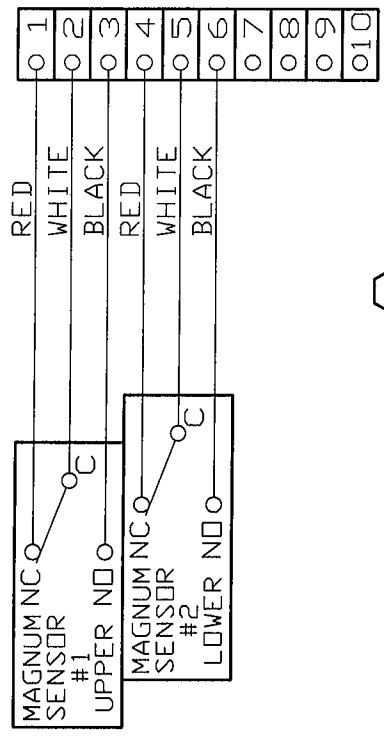


LET	DESCRIPTION	DWN.	DATE	DWD.
A	ACAD UPDATE	MKT	6/26/02	13965



THIS DRAWING CONTAINS CONFIDENTIAL INFOR- MATION AND IS ISSUED IN CONFIDENCE ON THE CONDITION THAT IT BE RETURNED ON DEMAND AND NOT BE COPIED, REPRO- DUCED, DISCLOSED TO OTHERS OR USED IN MANUFACTURE OF THE SUBJECT MATTER THEREOF WITHOUT THE WRITTEN CONSENT OF WESTLOCK CONTROLS CORP.	TOLERANCES UNLESS OTHERWISE SPECIFIED		DRAWN	DATE
	INCHES	MILLIMETERS	LAC	10/31/91
	2 PLC DEC. ± .015	1 PLC DEC ±.4	CHK'D	DATE
	3 PLC DEC. ± .005	2 PLC DEC. ±.13	<i>JK</i>	<i>7/1/02</i>
ANGLE ± 1/2°	ANGLE ±1/2°	DTG WORK ORDER		
MATERIAL		N/A		
N/A		SCALE	N/A	
		SIZE	DWG NUMBER	
		A	WD-10041	
			REV	
			A	

**WESTLOCK**  
CONTROLS CORPORATION

TITLE  
2-SPDT MAGNUM  
SENSORS WITH 10 TP TS