

General Purpose



Product Overview

The Westlock Beacon provides single, visual valve position monitoring that can be viewed from up to 150 feet in any direction and can indicate a wide variety of flow paths.

Features and Benefits

- Manufactured from high impact strength, corrosion resistant, clear co-polyester.
- Helps increase safety for plant personnel.
- Offers instant visual recognition of valve position from all vantage points up to 150 feet.
- Provides a concrete measure of valve performance.
- Monitors valve position while visually displaying flow path.
- Eliminates guesswork and reduces costs at system start-up.
- Offers positive mechanical monitoring of multiport control valves.



Technical Specifications

Physical Properties

Tensile Strength @ Break psi	7,600
Izod Impact Strength, Notched @ 73°F, ft-lb/in	>16
UV Resistance	Yes
Clarity	Yes
Heat Deflection Temperature HDT @ 264 psi, °F	151
UL Flammability Rating	94HB

Chemical Resistance @ 23°C

Reagent

10% Sodium Hydroxide
Bleach, 5% Solution
Salt Water
20% Sulfuric Acid
Gasoline, Regular
Hydraulic Fluid
50/50 Water/Ethanol
Ethanol
Methanol
Benzyl Alcohol

Observation

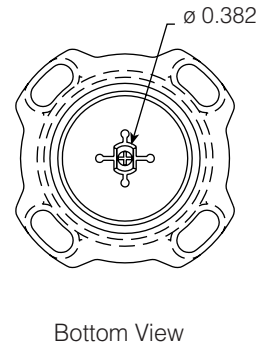
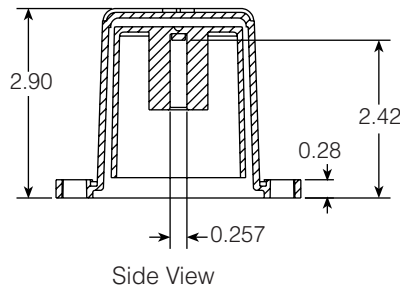
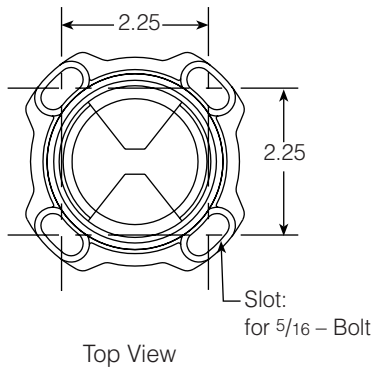
No Visible Effect
No Visible Effect
No Visible Effect
No Visible Effect
No Visible Effect
No Visible Effect
No Visible Effect
No Visible Effect
No Visible Effect
No Visible Effect

Westlock™ Beacon

Visual Position Monitor

General Purpose

Dimensions



Standard Flowpaths

Quarter Turn



Standard
(Black & Yellow)

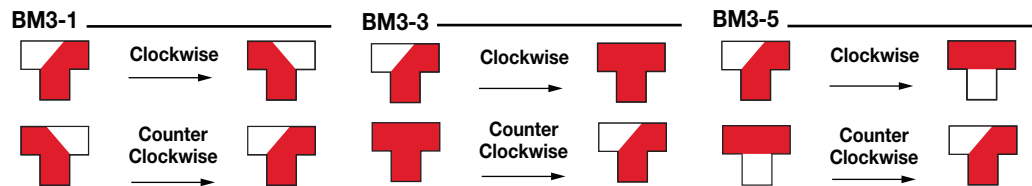


ANSI Blue
(Gas-Low Hazard)

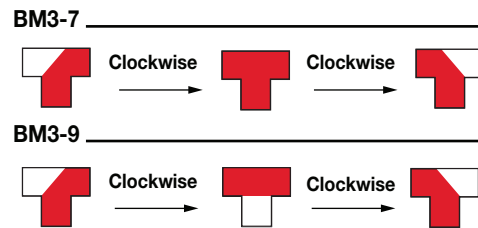


ANSI Red
(Fire Quenching)

Quarter Turn 3-Way



180 Degree 3-Way



Ordering Guide

Quarter Turn

BM2-Y (N/C)	Black Open/Yellow Closed*	BM2-B	ANSI Blue and White
BM2-RG (N/C)	Green Open/Red Closed*	BM2-R (N/C)	ANSI Red and White*
BM2-Y-FE (N/C)	Black Open/Yellow Closed, French and English Text*		

Quarter Turn 3-Way

BM3-1	See Standard Flowpaths
BM3-3	See Standard Flowpaths
BM3-5	See Standard Flowpaths

180 Degree 3-Way

BM3-7	See Standard Flowpaths
BM3-9	See Standard Flowpaths

A wide variety of special Beacons is available. Please consult your sales representative.

Ordering Note: for direct mount to actuators, specify IN30116 for NAMUR actuators or IN30115 for non NAMUR actuators and appropriate mounting kit.

USA/Canada: Saddle Brook, NJ
Ph: 201-794-7650
Dedicated Order Fax: 201-794-4790
General Fax: 201-794-0913

www.westlockcontrols.com

Europe/Asia: Kent, England
Ph: + 44 189 251 6277
Fax: + 44 189 251 6279
www.westlockuk.com

Latin America: Barueri, Sao Paulo
Ph: + 55 11 2588 1400
Fax: + 55 11 2588 1410
www.westlock.com.br

Tyco Flow Control (TFC) provides the information herein in good faith but makes no representation as to its comprehensiveness or accuracy. This data sheet is intended only as a guide to TFC products and services. Individuals using this data sheet must exercise their independent judgment in evaluating product selection and determining product appropriateness for their particular purpose and system requirements. TFC MAKES NO REPRESENTATIONS OR WARRANTIES, EITHER EXPRESS OR IMPLIED, INCLUDING WITHOUT LIMITATION ANY WARRANTIES OF MERCHANTABILITY OR FITNESS FOR A PARTICULAR PURPOSE WITH RESPECT TO THE INFORMATION SET FORTH HEREIN OR THE PRODUCT(S) TO WHICH THE INFORMATION REFERS. ACCORDINGLY, TFC WILL NOT BE RESPONSIBLE FOR DAMAGES (OF ANY KIND OR NATURE, INCLUDING INCIDENTAL, DIRECT, INDIRECT, OR CONSEQUENTIAL DAMAGES) RESULTING FROM THE USE OF OR RELIANCE UPON THIS INFORMATION. Patents and Patents Pending in the U.S. and foreign countries. Tyco reserves the right to change product designs and specifications without notice. All registered trademarks are the property of their respective owners. Printed in the USA.