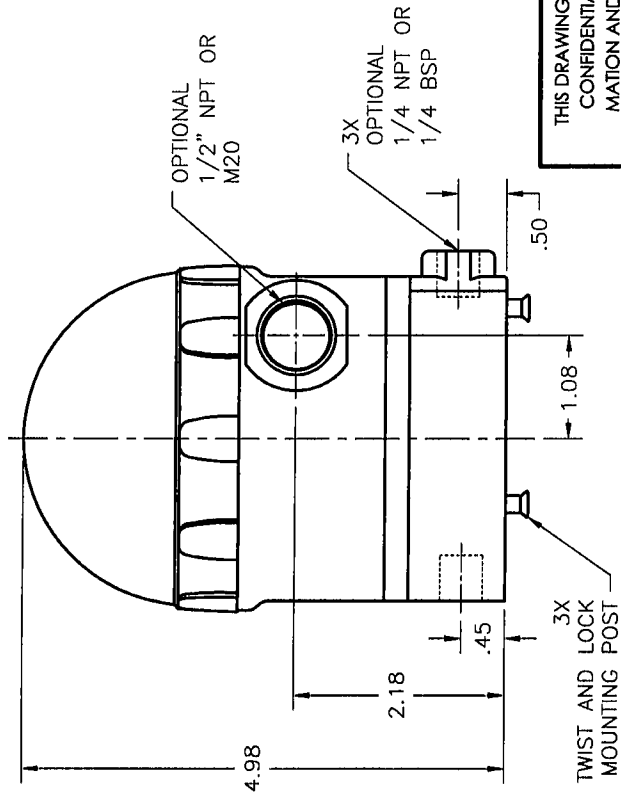
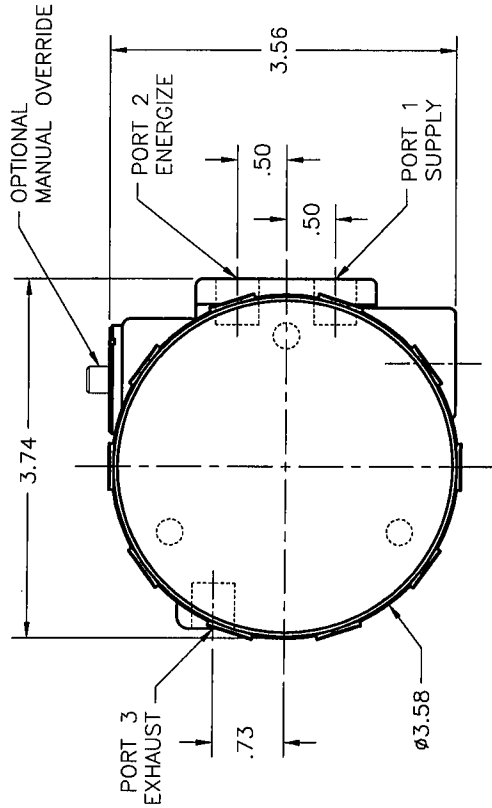
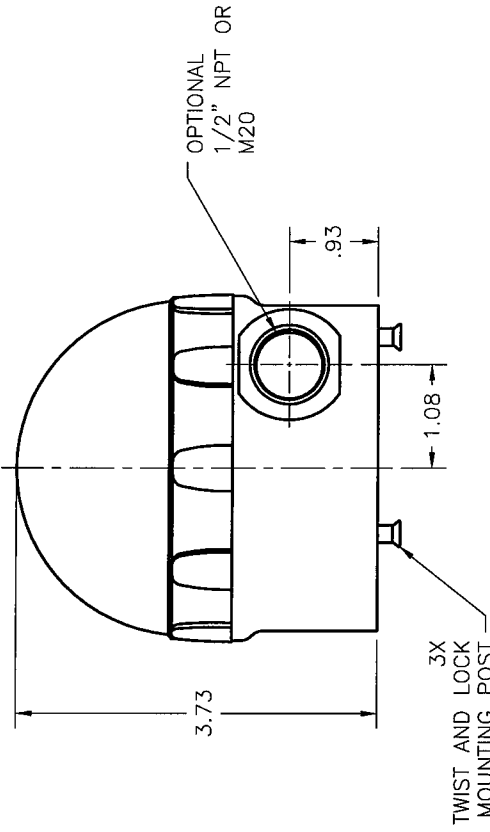
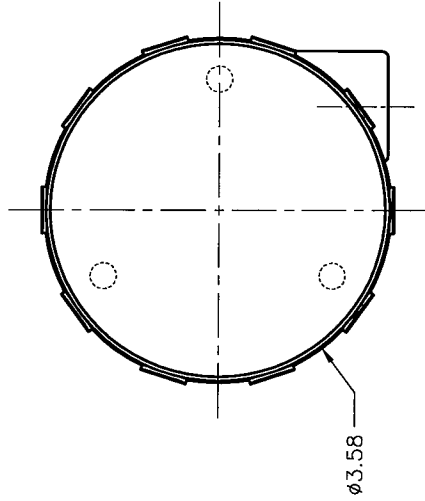


P2 W/SOLENIOD VALVE



P2 W/O SOLENIOD VALVE



THIS DRAWING CONTAINS CONFIDENTIAL INFORMATION AND IS ISSUED IN CONFIDENCE ON THE CONDITION THAT IT BE RETURNED ON DEMAND AND NOT BE COPIED, REPRODUCED, DISCLOSED TO OTHERS OR USED IN MANUFACTURE OF THE SUBJECT MATTER THEREOF WITHOUT THE WRITTEN CONSENT OF WESTLOCK CONTROLS CORP.

		DATE: 3/10/08 APPROVAL: MKT DRAWN: MKT CHECKED: [Signature] APPROVED: [Signature]
UNITS ARE IN INCHES UNLESS OTHERWISE SPECIFIED TOLERANCES UNLESS OTHERWISE SPECIFIED: INCHES: .XX ± .015, .XXX ± .005, ANGLE ± 1/2° MILLIMETERS: .X ± .4, .XX ± .13, ANGLE ± 1/2°		TITLE: DIMS P2 STD DO NOT SCALE DRAWING MATERIAL: N/A 18265 DRAFTING WORK ORDER: [Signature]
DO NOT SCALE DRAWING	SIZE: A DWG NUMBER: DS-10854	REV: [Blank] SHEET: 1 OF 1