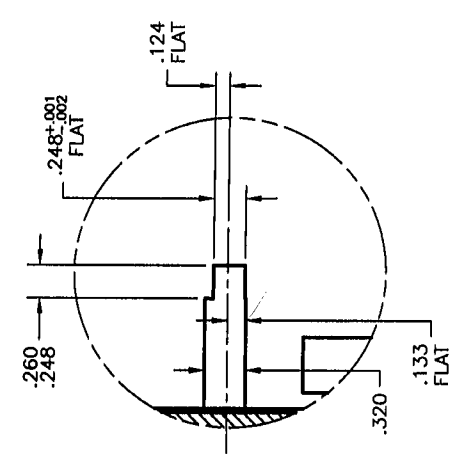
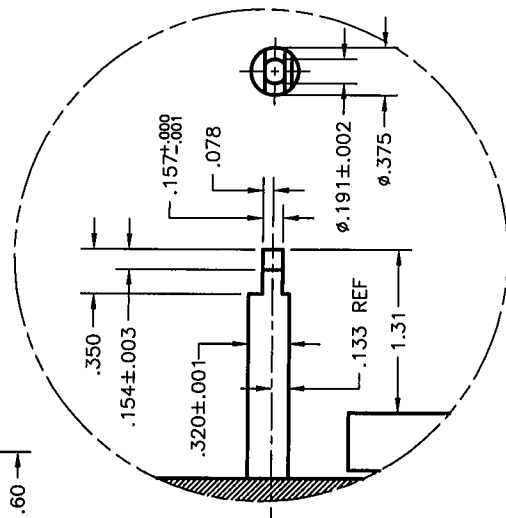
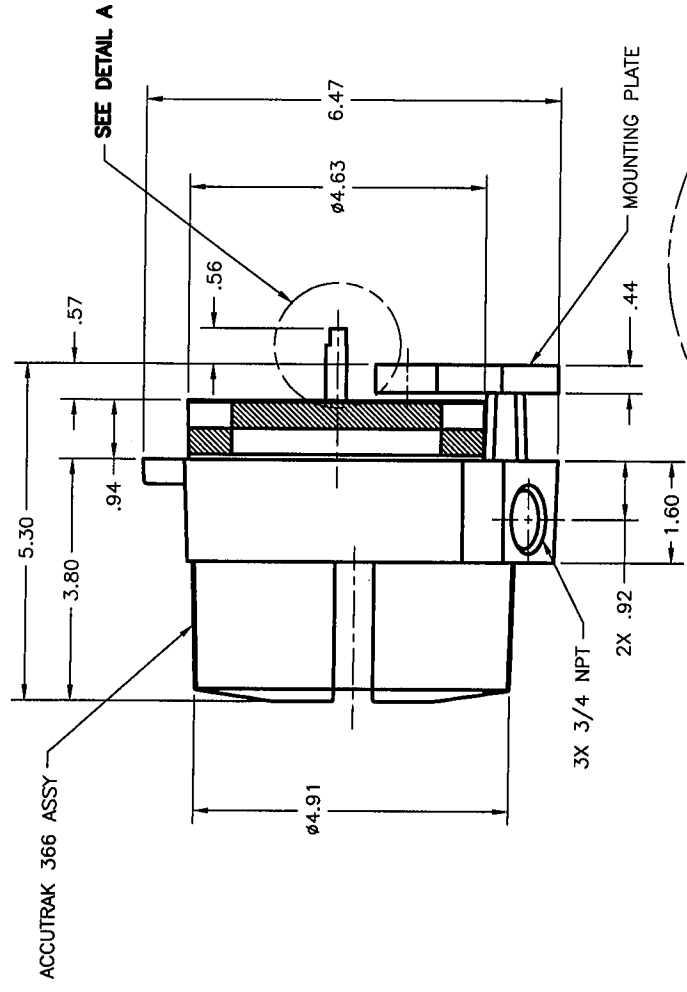
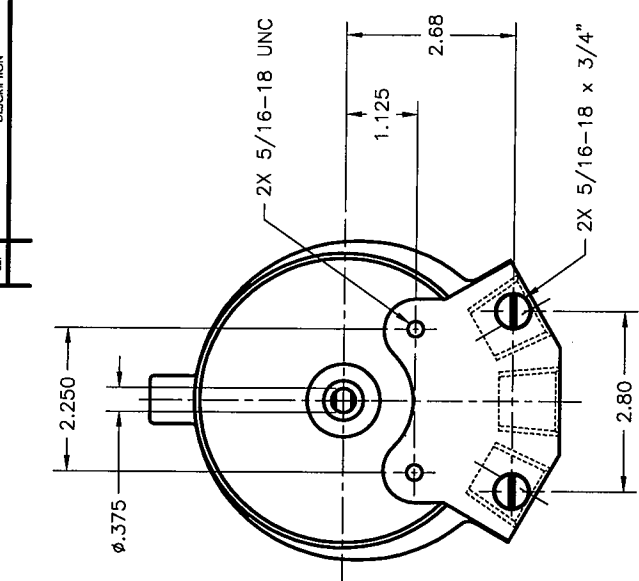


LET	DESCRIPTION	DRAWN	D.W.O.	APPROVED	DATE
-----	-------------	-------	--------	----------	------



**DETAIL A**  
SCALE 4:1

**OPTIONAL NAMUR SHAFT**  
SCALE 4:1

		CONTROLS CORPORATION	
DATE: 11/15/07		TITLE: DIM-SHT 366 STD 3/4"NPT-(A,B,C) SHRT-CVR STD & NMR-SHFT BGN-2WY MTG PLT	
DRAWN: CBS		CHECKED: MK	
APPROVED: MK		DATE: 11-16-07	
DRAWING WORK ORDER: 18096		MATERIAL: N/A	
UNITS: AS SHOWN UNLESS OTHERWISE SPECIFIED		DO NOT SCALE DRAWING	
TOLERANCES UNLESS OTHERWISE SPECIFIED		DIMENSIONS IN INCHES: .XX ± .015, .XXX ± .005, .X ± .4, .XXX ± .13, ANGLE ± 1/2°	
DIMENSIONS IN MILLIMETERS: .XX ± .015, .XXX ± .005, .X ± .4, .XXX ± .13, ANGLE ± 1/2°		THIRD ANGLE PROJECTION	
THIS DRAWING CONTAINS CONFIDENTIAL INFORMATION AND IS ISSUED IN CONFIDENCE ON THE CONDITION THAT IT BE RETURNED ON DEMAND AND NOT BE COPIED, REPRODUCED, DISCLOSED TO OTHERS OR USED IN MANUFACTURE OF THE SUBJECT MATTER THEREOF WITHOUT THE WRITTEN CONSENT OF WESTLOCK CONTROLS CORP.			
SIZE: B		REV: DS-10845	
SCALE: N/A		SHEET: 1 OF 1	