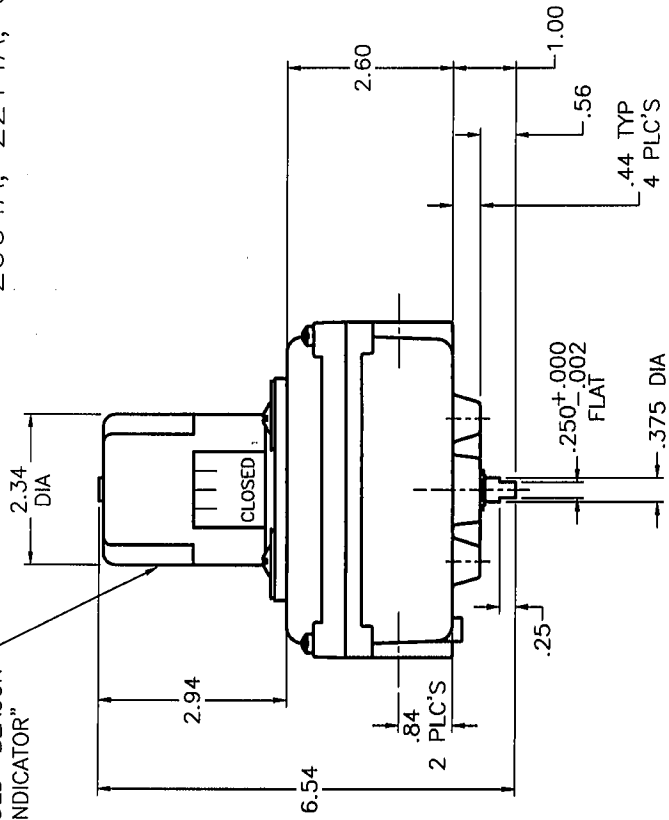
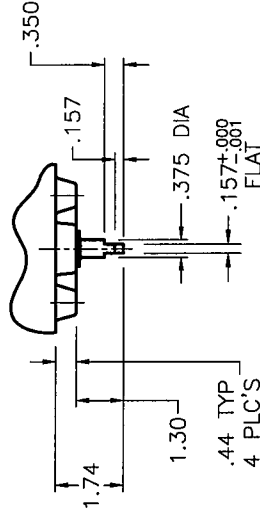
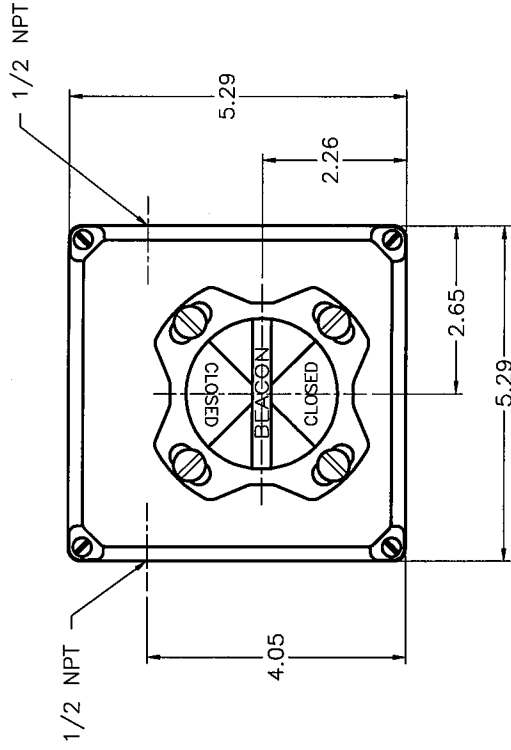
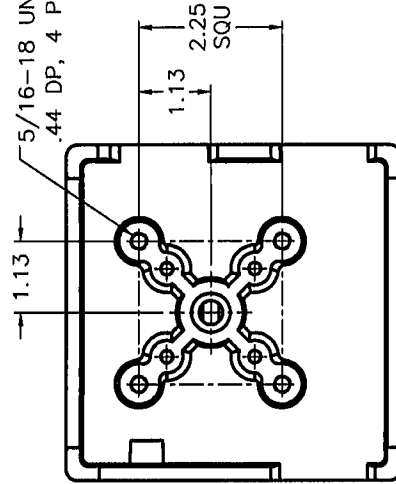


ASSOCIATED MODEL NUMBERS
 2004A, 2214A, 5004A, 9044A

COLOR CODED "BEACON POSITION INDICATOR"



5/16-18 UNC TAP x
 .44 DP, 4 PLC'S



OPTIONAL NAMUR SHAFT

LT	DESCRIPTION	DWN	D.W.C.	APPROVED	DATE
A	REVISED PER ECN# 10944	MKT	18956		

		APPROVAL	DATE
DIMS NMA STD 1/2" NPT, A, C BGN-CVR STD&NMR-SHFT BCN-21WY		DRAWN	5/24/02
TITLE 13939		CHECKED	5/21/02
DRAFTING WORK ORDER: 13939		APPROVED	5/21/02
MATERIAL: N/A		DATE	5/21/02
DO NOT SCALE DRAWING		SCALE	N/A
SHEET: 1 OF 1		REV	A

THIS DRAWING CONTAINS CONFIDENTIAL INFORMATION AND IS ISSUED IN CONFIDENCE ON THE CONDITION THAT IT BE RETURNED ON DEMAND AND NOT BE COPIED, REPRODUCED, DISCLOSED TO OTHERS OR USED IN MANUFACTURE OF THE SUBJECT MATTER THEREOF WITHOUT THE WRITTEN CONSENT OF WESTLOCK CONTROLS CORP.

UNITS ARE IN INCHES UNLESS OTHERWISE SPECIFIED	TOLERANCES UNLESS OTHERWISE SPECIFIED:
INCHES	MILLIMETERS
XX ± 0.15	X ± 0.4
XXX ± 0.05	XX ± 1.3
ANGLE ± 1/2°	ANGLE ± 1/2°
THIRD ANGLE PROJECTION	